



HAL
open science

Spin noise gradient echoes

Victor V. Rodin, Stephan J. Ginhör, Matthias Bechmann, Hervé Desvaux,
Norbert Müller

► **To cite this version:**

Victor V. Rodin, Stephan J. Ginhör, Matthias Bechmann, Hervé Desvaux, Norbert Müller. Spin noise gradient echoes. *Magnetic Resonance*, 2021, 2, pp.827-834. 10.5194/mr-2-827-2021 . cea-03445147

HAL Id: cea-03445147

<https://cea.hal.science/cea-03445147>

Submitted on 23 Nov 2021

HAL is a multi-disciplinary open access archive for the deposit and dissemination of scientific research documents, whether they are published or not. The documents may come from teaching and research institutions in France or abroad, or from public or private research centers.

L'archive ouverte pluridisciplinaire **HAL**, est destinée au dépôt et à la diffusion de documents scientifiques de niveau recherche, publiés ou non, émanant des établissements d'enseignement et de recherche français ou étrangers, des laboratoires publics ou privés.



Distributed under a Creative Commons Attribution 4.0 International License



Spin noise gradient echoes

Victor V. Rodin¹, Stephan J. Ginhör¹, Matthias Bechmann¹, Hervé Desvaux², and Norbert Müller^{1,3}

¹Institute of Organic Chemistry, Johannes Kepler University Linz, Altenbergerstraße 69, 4040 Linz, Austria

²NIMBE, CEA, CNRS, Université Paris-Saclay, CEA/Saclay, 91191 Gif-sur-Yvette, France

³Faculty of Science, University of South Bohemia in České Budějovice, Branišovská 1645/31a,
370 05 České Budějovice, Czech Republic

Correspondence: Norbert Müller (norbert.mueller@jku.at)

Received: 29 June 2021 – Discussion started: 12 July 2021

Revised: 1 October 2021 – Accepted: 11 October 2021 – Published: 19 November 2021

Abstract. Nuclear spin noise spectroscopy in the absence of radio frequency pulses was studied under the influence of pulsed field gradients (PFGs) on pure and mixed liquids. Under conditions where the radiation-damping-induced line broadening is smaller than the gradient-dependent inhomogeneous broadening, echo responses can be observed in difference spectra between experiments employing pulsed field gradient pairs of the same and opposite signs. These observed spin noise gradient echoes (SNGEs) were analyzed through a simple model to describe the effects of transient phenomena. Experiments performed on high-resolution nuclear magnetic resonance (NMR) probes demonstrate how refocused spin noise behaves and how it can be exploited to determine sample properties. In bulk liquids and their mixtures, transverse relaxation times and translational diffusion constants can be determined from SNGE spectra recorded following tailored sequences of magnetic field gradient pulses.

1 Introduction

Felix Bloch (Bloch, 1946) predicted nuclear spin noise (SN) more than 70 years ago as the result of incomplete cancellation of random fluctuations of spin polarization. After the first experimental observation of a weak nuclear quadrupole resonance (NQR) noise spectrum by Sleator (Sleator et al., 1985), SN has become a subject of renewed and increased interest (Guéron and Leroy, 1989; Marion and Desvaux, 2008; McCoy and Ernst, 1989; Müller and Jerschow, 2006; Pöschko et al., 2017). In particular, it has a really appealing potential for studying nanoscale samples (Nichol et al., 2014). The intensity of the SN signal observed in experiments without any radio frequency (RF) pulses is circa 10^8 times smaller than the signal obtained in the case of 90° RF pulse excitation for thermally polarized ^1H nuclear spin systems at 500 MHz at a millimolar concentration (Marion and Desvaux, 2008; Nichol et al., 2014; Pöschko et al., 2017). McCoy and Ernst (1989) studied nuclear spin noise spectra in ethanol at room temperature by co-adding thousands of 1D power spectra acquired without RF excitation. When

correlated noise was distinguished from uncorrelated noise by a cross-correlation process, 2D Fourier transform nuclear magnetic resonance (NMR) studies resulted in detected spin noise spectra from a liquid sample of macroscopic size (Chandra et al., 2013). In a recent publication on the “double-block usage” processing scheme (Ginhör et al., 2018), each recorded spin noise block was used in two independent cross-correlations. With such an approach, the sensitivity of 2D spin noise spectroscopy has been increased significantly. Nuclear spin noise accumulated in the presence of magnetic field gradients applied in different directions was used to implement spin noise imaging in the absence of any RF pulses applying a projection–reconstruction approach for data processing (Müller and Jerschow, 2006).

Many modern high-resolution NMR spectrometers are equipped with cryogenically cooled probe systems which reduce electronic noise to a minimum and are, therefore, the preferred probes for spin noise studies (Bloom, 1957; Desvaux, 2013; Nichol et al., 2014; Pöschko et al., 2014). However, owing to low noise electronics, SN spectra can even be obtained relatively easily using room tempera-

ture probes on samples with sufficiently large numbers of spins (of the order of 10^{17} – 10^{20}). In spite of the relatively straightforward measurement procedures, the line shapes of spin noise resonances can exhibit complex features. This is because spin noise and radiation damping (RD) are virtually inseparable phenomena, giving rise to highly nonlinear behavior and frequency shifts (Bloch, 1946; Bloom, 1957; McCoy and Ernst, 1989; Guéron and Leroy, 1989; Nausner et al., 2009; Desvaux, 2013; Krishnan and Murali, 2013; Nichol et al., 2014; Ferrand et al., 2015; Pöschko et al., 2015). Long-standing unresolved questions concerning quantitative discrepancies between the experiment and the theory derived by McCoy and Ernst (1989) and Guéron (1991) have recently been largely reconciled (Ferrand et al., 2015; Pöschko et al., 2017).

In the current report, we focus on transient phenomena occurring when SN spectra are measured after and during applied pulsed field gradients. Our findings prove that the magnitudes of SN peaks depend on the immediate gradient history. The experimental evidence appears to support a paradigm of refocused spin noise, which we call a spin noise gradient echo (SNGE). Sequences composed of two or three magnetic field gradients in the absence of RF pulses can be used to obtain information on the transverse relaxation rates of protons and the diffusive mobility of molecules in pure liquids and their mixtures.

The interference between weak gradients and radiation damping in spin noise spectra has been discussed previously (Pöschko et al., 2017). In the present report, we restrict the experiments and discussions to a regime where the combined homogeneous and inhomogeneous transverse relaxation rate exceeds the radiation damping rate. This allows us to use a relatively simple model based on assuming random RF excitations as the source of spin noise. The original spin noise imaging (SNI) experiments were performed at similar conditions (Müller and Jerschow, 2006). The experimental SN spectra described here were recorded within this particular regime, which is characterized by positive spin noise signals, i.e., noise levels at nuclear spin resonance frequencies which exceed the Nyquist–Johnson circuit noise power level in the absence of spins (Nausner et al., 2009; Desvaux, 2013; Ferrand et al., 2015; Jurkiewicz, 2015).

2 Results and discussion

To observe the described phenomena, a cryogenically cooled high-resolution liquid NMR probe optimized for ^1H detection is used to acquire short noise blocks (i.e., short acquisition periods) without any prior RF excitation but in the presence of and/or preceded by linear magnetic field gradients aligned along the static magnetic field axis (z). The noise blocks are then Fourier transformed to yield power spectra, which are co-added. The z gradients are chosen to be sufficiently strong in order to observe an increase in noise power

at the nuclear spin resonances and to avoid the nonlinear distortions observed for weaker gradients (i.e., for gradient broadening smaller than the resonance line width; Ferrand et al., 2015; Pöschko et al., 2017). Thus, the gradient strength during acquisition is set to induce sufficient spectral broadening to quench radiation damping effectively while still allowing for chemical shift discrimination. Comparing spin noise power spectra recorded with a gradient applied during acquisition only to spectra with an additional gradient (of same sign and amplitude) applied before acquisition reveals that the latter are of slightly higher spectral amplitude than the former. This intensity enhancement is even more pronounced if the two-gradient experimental schemes shown in Fig. 1a are compared, i.e., the sign of the pre-acquisition gradient G_1 is inverted between two separate two-gradient experiments. Afterwards, a SN power spectrum of the experiment with positive G_1 gradient is subtracted from the SN power spectrum of the experiment with negative G_1 gradient.

The SN power spectra of the experiments labeled $I(+)$ and $I(-)$ in Fig. 1b differ in intensity by about 20%. This observation is rather puzzling since such noise power signals are proportional to the spectral density over this frequency range and in the time domain proportional to the amount of autocorrelation. This means that an increase in the autocorrelated component during acquisition could be explained by refocusing of that component. Simulations, using Wolfram Mathematica™ software (Wolfram Research Inc., 2012), help to further illustrate this phenomenon (see the Supplement). The chosen experimental condition for these simulations corresponds to that where an increase in spin noise is observed. Hence, the model we use presumes that SN originates from a series of small random excitation events, each of random timing, random phase, and random small flip angle. In this simple model, we neglect effects by radiation damping because the inhomogeneous broadening by the gradients exceeds the resonance linewidth, i.e., the radiation damping rate, and Bloch equations are applicable. Therefore, spin noise contributes additively to the other Johnson–Nyquist noise sources, namely the resonance circuit, the transmission line, and the preamplifier. This simplification is further justified by simulations using an extended Bloch equation model (Schlagintweit et al., 2012) for the simulation of small flip-angle spectra, as detailed in the Supplement. Figure S1 shows that in the presence of gradients of opposite sign (Fig. 1; case $I(-)$) and in the presence of transverse relaxation, an incoherent echo appears, with its center at the time where $\frac{\delta_2}{\delta_1} \approx 0.5$. These simulations indicate that, even if random processes without phase coherence are involved, the capabilities of defocusing and refocusing individual coherences by field gradient pulses are preserved.

The noise power amplitude of the $I(+)$ experiments (Fig. 1) is due to incoherent excitation occurring only during the second gradient. In contrast, the additional contributions observed in the $I(-)$ experiments result from excitation

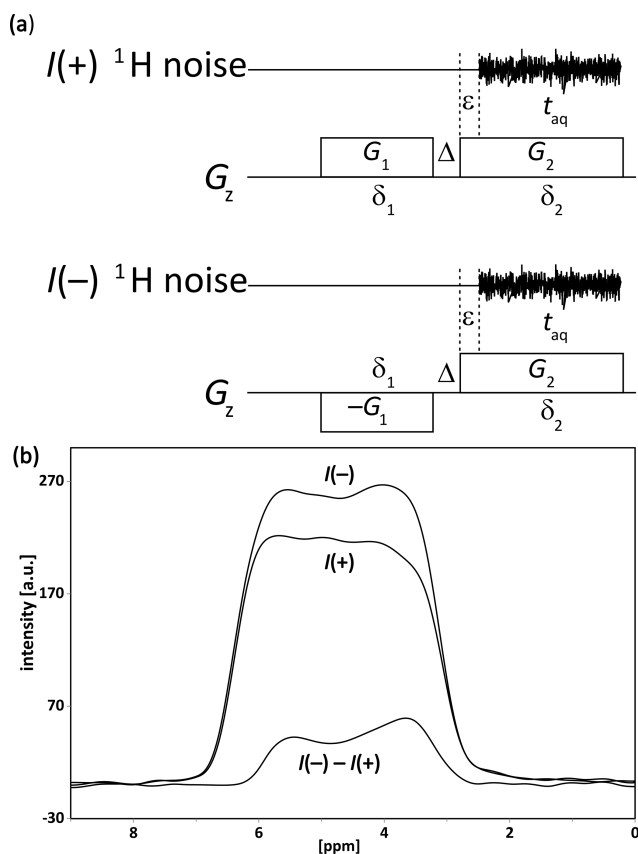


Figure 1. (a) The two-gradient pulse sequence (notably devoid of any RF pulses) used to demonstrate the principle of the spin noise gradient echo (SNGE). The noise blocks of the $I(+)$ and $I(-)$ experiments are stored separately and processed as described elsewhere (Nausner et al., 2009; Pöschko et al., 2017). The power spectra of $I(+)$ and $I(-)$ shown in panel (b) were used to calculate a difference spectrum $I(-) - I(+)$. The experimental parameters were $G_1 = G_2 = 3.2 \frac{\text{mT}}{\text{m}}$, $\delta_1 = 2$, $\Delta = 0.1$ ms, a gradient stabilization delay $\epsilon = 0.07$ ms, and an acquisition time $t_{\text{aq}} = 3.69$ ms. In total, 2048 noise blocks were Fourier transformed, and their power spectra were added for each profile. The line shapes in panel (b) should ideally be rectangular gradient profiles. Deviations are caused by the non-ideality of the gradient system, the finite sample limits, and residual radiation damping.

events occurring during the first gradient G_1 that are refocused by the second gradient G_2 .

As in common RF-pulsed gradient-echo experiments with two gradients (Tanner and Stejskal, 1968), the delay Δ in the sequence of Fig. 1a can be varied, resulting in changes in the amplitudes for the respective experiments. The differences between the integrals of these $I(+)$ and $I(-)$ z profiles, i.e., the spin noise gradient echo (SNGE) amplitudes, decrease due to transverse relaxation and molecular displacement. Thus, a quantitative measure of the apparent transverse relaxation time T_2^* can be extracted from the variation in the integrated SNGE difference spectra as a function of the de-

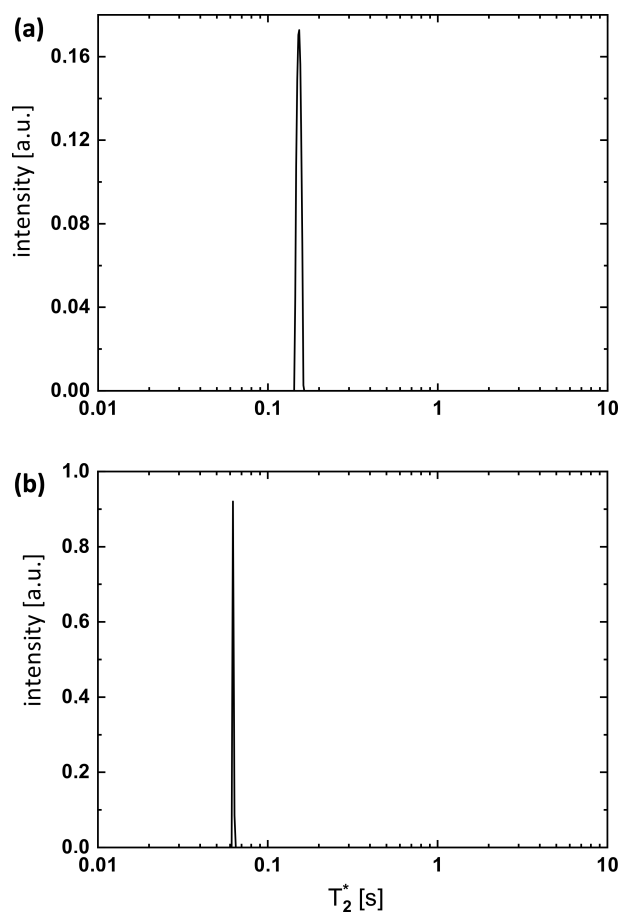


Figure 2. T_2^* distributions obtained from an inverse Laplace transform (ILT; as implemented in MATLAB; MATLAB, 2010) of the data sets measured in the $I(+)$ and $I(-)$ SNGE experiments for different delays Δ . The results in panel (a) are obtained from the ^1H signal of H_2O in 90% : 10% $\text{H}_2\text{O} : \text{D}_2\text{O}$ (relaxation constant is about 160 ms) and in panel (b) from the ^1H signal of 90% acetone with 10% acetone- d_6 (relaxation constant is about 62 ms). Δ varied from 0 to 70 ms at constant parameters of $G_1 = 1.26$, $G_2 = 10.7 \frac{\text{mT}}{\text{m}}$, $\delta_1 = 35$ ms, a gradient stabilization delay $\epsilon = 0.07$ ms, and an acquisition time $t_{\text{aq}} = 3.69$ ms. Thus, with the ILT analysis, it is possible to extract a distribution of relaxation components $f(T_2)$ (Berman et al., 2013; Rodin, 2018). In particular, for pure liquids, this distribution $f(T_2)$ showed one relaxation peak.

lay Δ . Figure 2 illustrates the results of such a process. The extracted T_2^* values include contributions from the spin-spin relaxation time, instrumental broadening, residual radiation damping, and displacement along the z axis.

For a common spin echo experiment, the overall time domain signal, $M(t)$, can be modeled by Eq. (1) as follows (Rodin, 2018):

$$M_t = \int_0^\infty e^{-\frac{t}{T_2}} f(T_2) dT_2. \quad (1)$$

This describes a superposition of individual signals relaxing independently at their respective decay rates T_2 . The signal

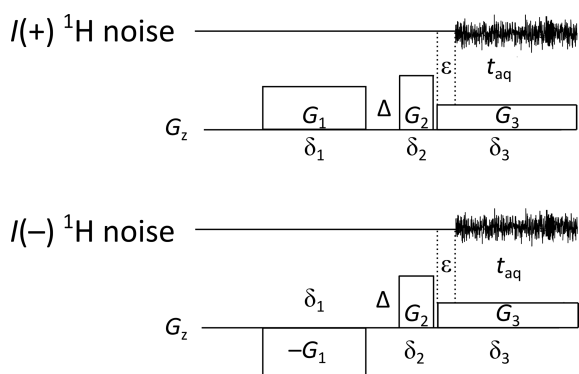


Figure 3. The three-gradient spin-noise-detected diffusion experiment. The gradient ratios are adjusted according to Eq. (2). Gradients G_2 and G_3 are separated by a short switching delay of 2–5 μs . Typical values in three-gradient sequences for diffusion (e.g., Fig. 5) and relaxation (e.g., Fig. 6) experiments are $\delta_1 = 2$, $\Delta = 0.1$, $\delta_2 = 1$ ms, a gradient stabilization delay $\epsilon = 0.05$ ms, and an acquisition time $t_{\text{aq}} = 3.69$ ms. The acquisition is run during the third gradient pulse.

components are weighted by a function $f(T_2)$, which allows us to discriminate between the different relaxation rates affecting $M(t)$. The mathematical structure of Eq. (1) is that of a Laplace transform and, hence, $f(T_2)$ can be determined from $M(t)$ by applying the inverse Laplace transform (ILT).

If SNGE data, as a function of Δ , can be modeled by Eq. (1) (a function of t), analysis by an inverse Laplace transform is allowed. Relaxation constants can be determined in an alternative approach by fitting the normalized differences between $I(-)$ and $I(+)$ ^1H SNGE intensities as a function of the delay Δ with a single exponential function $e^{-\Delta/T_2^*}$. Here we find that both methods result in the same relaxation constants.

To separate the contribution of transverse relaxation to the decay of the spin noise signal from the contribution by diffusion, one can exploit the fact that the decay by diffusion depends on the gradient amplitude, while decay by transverse relaxation does not. The z profile changes (different widths) owing to variations in gradient amplitude G_2 preventing a simple adaptation of the scheme in Fig. 1a. Therefore, we introduce an improved experiment which uses three gradient pulses. It allows one to keep the gradient during acquisition (third one) and, hence, the z profile width constant, while the amplitudes of the first and second gradients are varied (Fig. 3).

Apart from providing z profiles of equal width, this acquisition scheme offers additional advantages, as the maximum of the noise gradient echo can be adjusted to occur in the middle of the acquisition time. Assuming a weak effect of transverse relaxation, this can be achieved by adjusting the gradient ratios according to Eq. (2), which derives from sim-

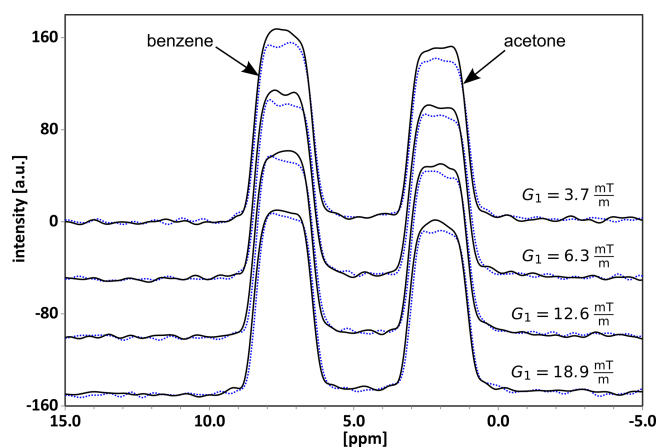


Figure 4. Results from the four SNGE experiments on a 1 : 1 mixture of acetone and benzene (with 10 % of acetone- d_6 for locking) recorded, according to the three-gradient sequence of Fig. 3, using the indicated G_1 gradient amplitudes at a constant G_3 of $1.6 \frac{\text{mT}}{\text{m}}$, while adjusting G_2 according to Eq. (2). The respective lower traces correspond to the $I(+)$ sub-experiment, while the higher ones are of the $I(-)$ measurements. SNGE spectra are presented for four G_1 gradient values, increasing from top to bottom as follows: 3.7, 6.3, 12.6, $18.9 \frac{\text{mT}}{\text{m}}$ ($\delta_1 = 2$, $\Delta = 0.015$, $\delta_2 = 1$ ms, a gradient stabilization delay $\epsilon = 0.05$ ms, and an acquisition time $t_{\text{aq}} = 3.69$ ms). Chemical shifts include 2.1 ppm (acetone) and 7.2 ppm (benzene).

ulations results shown in Fig. S1, as follows:

$$G_2 = \frac{G_1\delta_1 - G_3\delta_3}{\delta_2}. \quad (2)$$

Typical NMR diffusion experiments apply RF and gradient pulses and exploit the dependence of the generated gradient echoes signals on gradient amplitudes for the determination of diffusion coefficients (Tanner and Stejskal, 1968; Rodin, 2018). In the SNGE experiment (Figs. 3 and 4), amplitudes G_1 and G_2 are incremented systematically, while exceeding the broadening by radiation damping but allowing for separation of individual chemical shifts (Fig. 4).

Quantitative measurement of diffusion coefficients D_i requires normalization of the diffusion experiment spectra. For SNGE diffusion experiments one cannot resort to the zero-gradient experiment normalization as in pulsed diffusion NMR (Tanner and Stejskal, 1968; Hrabe et al., 2007; Kuchel et al., 2012; Berman et al., 2013; Rodin, 2018). Instead, we use the maximum difference signal $[I(-) - I(+)]_{\text{max}}$ as observed at the smallest G_1 gradient strength used for each peak. Assuming the validity of Eq. (2), a SNGE attenuation can be defined as follows:

$$\begin{aligned} \ln \frac{I(-) - I(+)}{[I(-) - I(+)]_{\text{max}}} &= -D_i\gamma^2(G_2\delta_2 + G_3\delta_3)^2 \left(\Delta + \frac{2\delta_1}{3} \right) \\ &= -D_i\gamma^2(G_1\delta_1)^2 \left(\Delta + \frac{2\delta_1}{3} \right), \end{aligned} \quad (3)$$

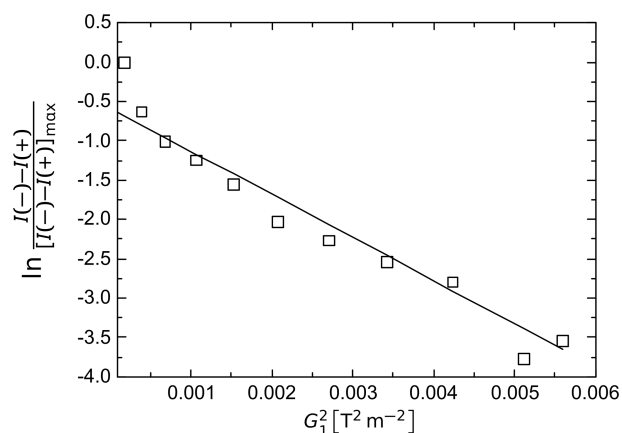


Figure 5. G_1^2 dependence of the normalized difference spectra integrals of the z profiles in SNGE $I(-)$ and $I(+)$ diffusion experiments from the three-gradient pulse scheme (Fig. 3) applied to 90 % : 10 % $\text{H}_2\text{O}:\text{D}_2\text{O}$ at $T = 295\text{ K}$. The solid line is added to guide the eye and to emphasize the approximately linear part of the attenuation curve. ($G_2 = G_1$, $G_3 = 1.6 \frac{\text{mT}}{\text{m}}$, $\delta_1 = 2$, $\Delta = 0.1$, $\delta_2 = 1\text{ ms}$, a gradient stabilization delay $\epsilon = 0.05\text{ ms}$, and an acquisition time $t_{\text{aq}} = 3.69\text{ ms}$).

where γ is the gyromagnetic ratio. Equation (3) shows a linear dependence of the SNGE attenuation on G_1^2 and a direct proportionality between the ratio of slope of the SNGE attenuation and the diffusion coefficient D_i .

Figure 5 shows the result of applying the three-gradient pulse scheme to a $\text{H}_2\text{O}:\text{D}_2\text{O}$ solution (90 % : 10 %; another example, based on a mixture of acetone and benzene, is shown in Figs. 4 and S2). An analysis of the dependence of the SNGE attenuation $\ln \frac{I(-)-I(+)}{[I(-)-I(+)]_{\text{max}}}$ on G_1^2 indicates a reasonable linear behavior, as predicted by Eq. (3), except for very small G_1^2 values.

For very small gradient amplitudes, the assumption that the gradient broadening is larger than the radiation damping rate fails, and nonlinear behavior, due to radiation damping feedback fields, has to be taken into account. SN experiments in the presence of weak gradients display, for example, spectral “hole burning” effects (Pöschko et al., 2017). This effect was simulated using a modified Bloch equation approach (Bloom, 1957; Schlagnitweit et al., 2012), emulating gradients by slices of different B_0 fields all linked through a feedback field as generated by one and the same RF coil (Pöschko et al., 2017). The comparison between experiments and such theoretical simulations was in very good agreement (Pöschko et al., 2017).

This particular phenomenon can explain the discrepancies between Eq. (3) and the experimental data for very small G_1^2 values in Fig. 5. For our setup, z profiles without any of these disturbances were observed for gradient amplitudes exceeding roughly $2 \frac{\text{mT}}{\text{m}}$. Hence, restraining the data collection/analysis to the interval where $G_1 > 2 \frac{\text{mT}}{\text{m}}$ is the most suitable experimental condition at which the SNGE sequence

can be applied for the purpose of diffusion coefficient determination.

In a SNGE diffusion experiment on a 1 : 1 mixture of acetone and benzene, the SNGE attenuation vs. G_1^2 (Fig. S2) allowed a rough estimation of the ratio of slope for the acetone and benzene component in this mixture separately. The ratio of these two slopes is comparable with the value derived from classical pulsed field gradient (PFG) spin echo measurements. From this, one can conclude that, in two-component mixtures with sufficiently different chemical shifts, it is possible to observe SNGE attenuation and to extract separate SNGE attenuation curves for each component. A qualitative comparison of how SNGE signals are attenuated in diffusion experiments of mixtures of components differing in both chemical shifts and diffusion coefficients appears feasible.

A severe limitation of inducing SNGE attenuation by G_1 variation in the three-gradient scheme stems from gradient limits. In order to obtain a measurable decrease in echo intensity, data must be acquired over a wide enough G_1 range, and this range must reside in the range where diffusion dominates the SNGE attenuation (linear G_1^2 dependence; see Fig. S2 at the top). In our case, reliable SNGE experiments were not possible for gradient strengths higher than $75 \frac{\text{mT}}{\text{m}}$ due to power limits on the fast gradient duty cycle. In order to circumvent this hardware limitation, an alternative implementation of the three-gradient pulse sequence is considered, where constant gradient amplitudes are used but the delay Δ between G_1 and G_2 is varied. For the 1 : 1 mixture of benzene and acetone, G_3 is chosen such that chemical shift discrimination is possible, and no distortion on the sample profiles was observed (Fig. S3).

In Fig. 6, we report the SNGE attenuation for a mixture of acetone and benzene as a function of the delay Δ . Increasing Δ causes a readily observable SNGE attenuation. However, the decay is the combined effect of simultaneous relaxation and diffusion. Both solvents display similar transverse relaxation rates T_2^* in this mixture, and hence, the difference of the two slopes can be interpreted as the difference in diffusion coefficients of the two, with the faster diffusion for acetone and the slower for benzene. For a systematic separation of the relaxation and diffusion contributions, SNGE attenuation curves for different gradient amplitudes G_1 can be acquired and analyzed simultaneously (see Fig. S4).

The apparent transverse relaxation times derived from this three-gradient experiment are approximately 10 times longer than the ones that can be extracted from directly recorded spin noise spectra by line shape analysis (which, by the Wiener–Khinchine theorem (Wiener, 1930; Khinchine, 1934), is equivalent to an autocorrelation analysis). This is expected because radiation damping is heavily affected by feedback from the preamplifier circuit (Pöschko et al., 2017). In the hardware used, the preamplifier is actively detached from the RF receiver circuit by impedance switching, as long as no acquisition is running. Therefore, when tuning and matching are set up for the spin noise tun-

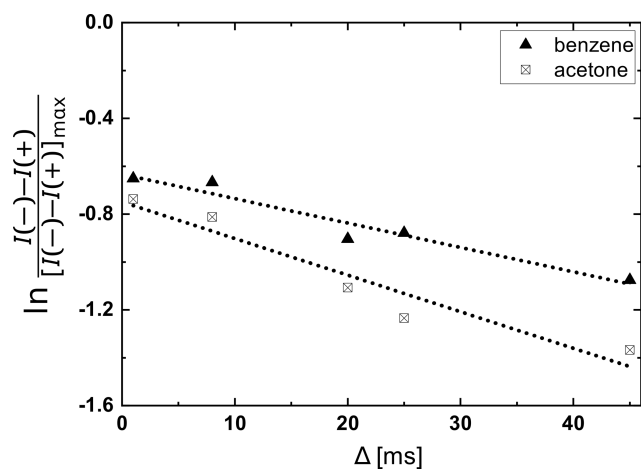


Figure 6. ^1H SNGE attenuation experiments in a 1 : 1 acetone–benzene mixture for different delays Δ between G_1 and G_2 , using the three-gradient sequence. The data set (top; triangles) for the benzene component (chemical shift 7.2 ppm; $T_2^* = 91$ to 95 ms) and the data set (bottom) for the acetone component (chemical shift 2.1 ppm, $T_2^* = 60$ to 65 ms) are shown. Δ varied from 0 to 45 ms at constant parameters of $G_1 = 31.5$, $G_2 = 60.1$, $G_3 = 1.6 \frac{\text{mT}}{\text{m}}$. ($\delta_1 = 2$, $\delta_2 = 1$ ms, a gradient stabilization delay $\epsilon = 0.05$ ms, and an acquisition time $t_{\text{aq}} = 3.69$ ms). The respective SNGE spectra at $\Delta = 8$ and 20 ms conditions are shown in Fig. S3.

ing optimum (SNT0; Marion and Desvaux, 2008; Nausner et al., 2009; Pöschko et al., 2014) as in the experiments reported here, the radiation damping rate is at a maximum during acquisition and at a much lower value before and after acquisition. The apparent transverse relaxation rate is, thus, reduced in the period Δ due to the tuning offset occurring when the preamplifier is on high impedance, which partially quenches radiation damping. The influence of preamplifier feedback on spin noise has been described and simulated in detail in other references (Pöschko et al., 2017). Observation of the relaxation phenomena during the indirect evolution period in the three-gradient experiment also opens the possibility to probe the spectral density which lies at the root of the spin noise phenomenon (Field and Bain, 2010; Field and Bain, 2013; Field, 2014) under conditions which are not dictated by the particular implementation of the receiver and preamplifier circuitry (see the Supplement).

3 Experiments

Spin noise data were collected, as described elsewhere (Nausner et al., 2009), typically using a total of 2^{16} noise acquisition blocks. Some variations in the number of noise blocks depended on concentration and type of experiment. The individual noise blocks were stored separately, then Fourier transformed, converted to power spectra, and co-added.

Solvents (acetone, benzene, and dimethyl sulfoxide) were supplied from Sigma-Aldrich in an analytical grade. In the experiments with pure solvents, 5 %–10 % of the respective deuterated solvent (Sigma-Aldrich) were added for field frequency locking. In the experiments run on the mixtures of acetone and benzene, the field frequency lock signal was provided by acetone- d_6 . All raw data used in the main text have been collected and processed using a Bruker 700 MHz Avance III NMR spectrometer equipped with a 5 mm TCI CryoProbe (manufactured in 2011) with an internal z -gradient coil (maximum gradient $0.625 \frac{\text{T}}{\text{m}}$) and Bruker TopSpin 3.2 (Topspin, 2012) NMR software.

The temperature of the samples was controlled to 295 K, and the RF coil temperature was 20.1 ± 0.1 K. The probe was tuned to the spin noise tuning optimum (Nausner et al., 2009; Pöschko et al., 2014). Noise blocks (the equivalent of free induction decays (FIDs) in pulsed NMR) were recorded in the presence of gradients, with an inhomogeneous broadening exceeding the radiation damping rate by at least a factor of 2. Such magnetic field gradients are commonly used to alleviate the effects of radiation damping in high-resolution NMR (Henry, 1986). The maximum pulsed B_0 field gradients applied were also relatively weak, causing a line broadening of a few kilohertz in the proton NMR spectra. For rapid parameter adjustments during setup (e.g., positioning of the echo, gradient shapes, and pre-emphasis) small flip angle excitation experiments were used to circumvent the time requirements of non-optimized SN experiments.

4 Conclusions

In this work, we report first explorations of diffusion and relaxation characterizations based on nuclear spin noise detection. In the SNGE (spin noise gradient echo) acquisition scheme, no RF excitation is used, and the NMR signals are retrieved as autocorrelation functions (by way of Fourier transformation) of the acquired spin noise data. In order to encode the effect of transverse relaxation and/or diffusion, pulsed field gradients are applied prior to the noise acquisition. This gradient encoding alters the autocorrelation functions of the acquired spin noise data, if a refocusing gradient is simultaneously active during the noise acquisition. The relative signs and amplitudes of these gradients induce spin noise amplitude changes from which information on transverse relaxation and diffusion can be, at least semi-quantitatively, extracted.

An analysis of the influence of the chosen experimental conditions on the SNGE phenomenon allows one to identify several advantages and limitations in terms of gradient sequence implementation and hardware parameters. First, since no RF excitation is used for detecting magnetic resonance, SNGE seems particularly attractive for spin systems exhibiting long longitudinal relaxation times (T_1) as no recycle delay is needed. For example, in diamond T_1 , times of nearly

100 h have been found (Reynhardt and Terblanche, 1997). Our group has also demonstrated the utility of spin noise measurements at low temperatures (Pöschko et al., 2015, 2016), where spin lattice relaxation can also be extremely slow, while T_2^* is short.

Also, the simultaneous determination of transverse relaxation rates and diffusion coefficients is attractive for mixture characterization in porous media. Additionally, in situ oil well exploration (Prammer, 2004) or other applications of NMR in confined spaces would profit from the miniaturization and simplification possible by a detection-only electronic setup. However, the first implementations of the SNGE have also revealed constraints provided by the hardware and the range of experimental systems which can be studied. First, since SNGE is based on spin noise measurements, the coupling between the magnetization and the detection circuit should be sufficiently strong to induce radiation damping (the fact that RF excitation is not needed enlarge the detection circuit designs; Ferrand et al., 2015). Second, and more important for SNGE, the range of useful pulsed field gradient amplitudes, as provided by common NMR spectrometers, is very limited. For very small gradient amplitudes, profile distortions appear, preventing the signal analysis for diffusion characterization and the extraction of reference measurements in the absence of gradients. Also, with the high-resolution probe we used, resorting to very high gradients was impossible because of duty cycle and power restraints and also because detection must be done in the presence of a gradient. We, nevertheless, show that some routes exist, without adapting the hardware for circumventing these amplitude gradient issues, for instance, by using a three-gradient pulse scheme instead of the two-gradient echo, by changing the intergradient echo time and the gradient amplitudes, or by performing comparative experiments between two solvents. To allow this direct comparison, we show that gradient strengths lower than the chemical shift separation allow one to obtain separate profile images for different spin isochromats, from which we extract apparent transverse relaxation time T_2^* for components in SNGE experiments largely independent of radiation damping and compare molecular diffusion coefficients.

Appendix A: Abbreviations

FID	Free induction decay
NMR	Nuclear magnetic resonance
NQR	Nuclear quadrupole resonance
SN	Spin noise
PFG	Pulsed field gradient
RD	Radiation damping
RF	Radio frequency
SNT0	Spin noise tuning optimum
SNGE	Spin noise gradient echo
SNI	Spin noise imaging

Data availability. The data in the figures and software used for simulations are available upon request.

Supplement. The supplement related to this article is available online at: <https://doi.org/10.5194/mr-2-827-2021-supplement>.

Author contributions. VVR, SJG, and MB did the measurements. VVR did all the simulations and analysis. NM and HD supervised the work. The paper was written by all authors, with final editing by MB and NM.

Competing interests. The contact author has declared that neither they nor their co-authors have any competing interests.

Disclaimer. Publisher's note: Copernicus Publications remains neutral with regard to jurisdictional claims in published maps and institutional affiliations.

Special issue statement. This article is part of the special issue "Geoffrey Bodenhausen Festschrift". It is not associated with a conference.

Acknowledgements. The authors are grateful to Gaspard Huber, for the exchange visits and help during this project.

Financial support. This work has been supported by the Austrian Science Funds (FWF) and the Agence Nationale de Recherche (ANR) in the joint project IMAGINE (FWF project grant no. I1115-N19; ANR project grant no. 12-IS04-0006) and by the EGIDE-ÖAD AMADEUS Austrian–French exchange programme (grant nos. 28948WD and FR 11/2013).

Review statement. This paper was edited by Daniel Abergel and reviewed by two anonymous referees.

References

- Berman, P., Levi, O., Parmet, Y., Saunders, M., and Wiesman, Z.: Laplace inversion of low-resolution NMR relaxometry data using sparse representation methods, *Concepts Magn. Reson. Part A*, 42, 72–88, <https://doi.org/10.1002/cmra.21263>, 2013.
- Bloch, F.: Nuclear induction, *Phys. Rev.*, 70, 460–474, <https://doi.org/10.1103/PhysRev.70.460>, 1946.
- Bloom, S.: Effects of radiation damping on spin dynamics, *J. Appl. Phys.*, 28, 800–805, <https://doi.org/10.1063/1.1722859>, 1957.
- Chandra, K., Schlagnitweit, J., Wohlschlager, C., Jerschow, A., and Müller, N.: Spin-noise-detected two-dimensional Fourier-transform NMR spectroscopy, *J. Phys. Chem. Lett.*, 4, 3853–3856, <https://doi.org/10.1021/jz402100g>, 2013.

- Desvaux, H.: Non-linear liquid-state NMR, *Prog. Nucl. Magn. Reson. Spectrosc.*, 70, 50–71, <https://doi.org/10.1016/j.pnmrs.2012.11.001>, 2013.
- Ferrand, G., Huber, G., Luong, M., and Desvaux, H.: Nuclear spin noise in NMR revisited, *J. Chem. Phys.*, 143, 094201, <https://doi.org/10.1063/1.4929783>, 2015.
- Field, T. R.: Dynamical theory of spin noise and relaxation: Prospects for real-time NMR measurements, *Phys. Rev., E*, 90, 052144, <https://doi.org/10.1103/PhysRevE.90.052144>, 2014.
- Field, T. R. and Bain, A. D.: Origins of Spin Noise, *Appl. Magn. Reson.*, 38, 167–178, <https://doi.org/10.1007/s00723-009-0107-2>, 2010.
- Field, T. R. and Bain, A. D.: A dynamical theory of spin relaxation, *Phys. Rev., E*, 87, 022110, <https://doi.org/10.1103/PhysRevE.87.022110>, 2013.
- Ginhör, S. J., Chandra, K., Bechmann, M., Rodin, V. V., and Müller, N.: Spin-noise-detected two-dimensional nuclear magnetic resonance at triple sensitivity, *ChemPhysChem*, 19, 907–912, <https://doi.org/10.1002/cphc.201800008>, 2018.
- Guéron, M.: A coupled resonator model of the detection of nuclear magnetic resonance: Radiation damping, frequency pushing, spin noise, and the signal-to-noise ratio, *Magn. Reson. Med.*, 19, 31–41, <https://doi.org/10.1002/mrm.1910190104>, 1991.
- Guéron, M. and Leroy, J. L.: NMR of water protons. The detection of their nuclear-spin noise, and a simple determination of absolute probe sensitivity based on radiation damping, *J. Magn. Reson.*, 85, 209–215, [https://doi.org/10.1016/0022-2364\(89\)90338-7](https://doi.org/10.1016/0022-2364(89)90338-7), 1989.
- Henry, C. H.: Theory of spontaneous emission noise in open resonators and its application to lasers and optical amplifiers, *J. Light. Technol.*, 4, 288–297, <https://doi.org/10.1109/JLT.1986.1074715>, 1986.
- Hrabe, J., Kaur, G., and Guilfoyle, D. N.: Principles and limitations of NMR diffusion measurements, *J. Med. Phys.*, 32, 34–42, <https://doi.org/10.4103/0971-6203.31148>, 2007.
- Jurkiewicz, A.: Simultaneous observation of NMR spin noise and maser spontaneous emission, *Chem. Phys. Lett.*, 623, 55–59, <https://doi.org/10.1016/j.cplett.2015.01.044>, 2015.
- Khintchine, A.: Korrelations-theorie der stationären stochastischen Prozesse, *Mathem. Annal.*, 109, 604–615, <https://doi.org/10.1007/BF01449156>, 1934.
- Krishnan, V. V. and Murali, N.: Radiation damping in modern NMR experiments: Progress and challenges, *Prog. Nucl. Magn. Reson. Spectrosc.*, 68, 41–57, <https://doi.org/10.1016/j.pnmrs.2012.06.001>, 2013.
- Kuchel, P. W., Pagès, G., Nagashima, K., Velan, S., Vijayaragavan, V., Nagarajan, V., and Chuang, K. H.: Stejskal-Tanner equation derived in full, *Concepts Magn. Reson. Pt. A*, 40, 205–214, <https://doi.org/10.1002/cmr.a.21241>, 2012.
- Marion, D. J.-Y. and Desvaux, H.: An alternative tuning approach to enhance NMR signals, *J. Magn. Reson.*, 193, 153–157, <https://doi.org/10.1016/j.jmr.2008.04.026>, 2008.
- MATLAB: Version 7.10.0 (R2010a), The MathWorks Inc., Natick, Massachusetts, 2010.
- McCoy, M. A. and Ernst, R. R.: Nuclear spin noise at room temperature, *Chem. Phys. Lett.*, 159, 587–593, [https://doi.org/10.1016/0009-2614\(89\)87537-2](https://doi.org/10.1016/0009-2614(89)87537-2), 1989.
- Müller, N. and Jerschow, A.: Nuclear spin noise imaging, *P. Natl. Acad. Sci. USA*, 103, 6790–6792, <https://doi.org/10.1073/pnas.0601743103>, 2006.
- Nausner, M., Schlagnitweit, J., Smrečki, V., Yang, X., Jerschow, A., and Müller, N.: Non-linearity and frequency shifts of nuclear magnetic spin-noise, *J. Magn. Reson.*, 198, 73–79, <https://doi.org/10.1016/j.jmr.2009.01.019>, 2009.
- Nichol, J. M., Naibert, T. R., Hemesath, E. R., Lauhon, L. J., and Budakian, R.: Nanoscale Fourier-transform magnetic resonance imaging, *Phys. Rev. X*, 3, 031016, <https://doi.org/10.1103/PhysRevX.3.031016>, 2013.
- Pöschko, M. T., Schlagnitweit, J., Huber, G., Nausner, M., Horničáková, M., Desvaux, H., and Müller, N.: On the tuning of high-resolution NMR probes, *ChemPhysChem.*, 15, 3639–3645, <https://doi.org/10.1002/cphc.201402236>, 2014.
- Pöschko, M. T., Vuichoud, B., Milani, J., Bornet, A., Bechmann, M., Bodenhausen, G., Jannin, S., and Müller, N.: Spin noise detection of nuclear hyperpolarization at 1.2 K, *ChemPhysChem.*, 16, 3859–3864, <https://doi.org/10.1002/cphc.201500805>, 2015.
- Pöschko, M. T., Peat, D., Owers-Bradley, J., and Müller, N.: Use of Nuclear Spin Noise Spectroscopy to Monitor Slow Magnetization Buildup at Millikelvin Temperatures, *ChemPhysChem.*, 17, 3035, <https://doi.org/10.1002/cphc.201600323>, 2016.
- Pöschko, M. T., Rodin, V. V., Schlagnitweit, J., Müller, N., and Desvaux, H.: Nonlinear detection of secondary isotopic chemical shifts in NMR through spin noise, *Nat. Commun.*, 8, 1–9, <https://doi.org/10.1038/ncomms13914>, 2017.
- Prammer, M. G.: NMR in well logging and hydrocarbon exploration, *Appl. Magn. Reson.*, 25, 637–649, <https://doi.org/10.1007/BF03166554>, 2004.
- Reynhardt, E. C. and Terblanche, C. J.: ¹³C relaxation in natural diamond, *Chem. Phys. Lett.*, 269, 464–468, [https://doi.org/10.1016/S0009-2614\(97\)00309-6](https://doi.org/10.1016/S0009-2614(97)00309-6), 1997.
- Rodin, V. V. (Ed.): *Magnetic resonance in studying natural and synthetic materials*, Bentham Science Publishers Ltd., Sharjah, UAE, 2018.
- Schlagnitweit, J., Morgan, S. W., Nausner, M., Müller, N., and Desvaux, H.: Non-linear signal detection improvement by radiation damping in single-pulse NMR spectra, *ChemPhysChem.*, 13, 482–487, <https://doi.org/10.1002/cphc.201100724>, 2012.
- Sleator, T., Hahn, E. L., Hilbert, C., and Clarke, J.: Nuclear-spin noise, *Phys. Rev. Lett.*, 55, 1742–1745, <https://doi.org/10.1103/PhysRevLett.55.1742>, 1985.
- Tanner, J. E. and Stejskal, E. O.: Restricted self-diffusion of protons in colloidal systems by the pulsed-gradient, spin-echo method, *J. Chem. Phys.*, 49, 1768–1777, <https://doi.org/10.1063/1.1670306>, 1968.
- Topspin: Version 3.2, Bruker BioSpin GmbH, Rheinstetten, Bruker BioSpin GmbH, Germany, 2012.
- Wiener, N.: Generalized harmonic analysis, *Acta Math.*, 55, 117–258, <https://doi.org/10.1007/bf02546511>, 1930.
- Wolfram Research Inc.: *Mathematica*, version 9, Champaign, Illinois, available at: <https://www.wolfram.com/mathematica> (last access: 21 October 2021), 2012.