



HAL
open science

Thermodynamic study of (U-Pu-Zr-O-Fe) corium system

A. Quaini, C. Gueneau, S. Gosse, T. Alpettaz, Emmanuelle Brackx, A. Chocard, R. Domenger, D. Manara, K. Boboridis, P. Lajarge, et al.

► To cite this version:

A. Quaini, C. Gueneau, S. Gosse, T. Alpettaz, Emmanuelle Brackx, et al.. Thermodynamic study of (U-Pu-Zr-O-Fe) corium system. International Conference on Computer Coupling of Phase Diagrams and Thermochemistry - CALPHAD XLIV, May 2015, Loano, Italy. cea-02489508

HAL Id: cea-02489508

<https://cea.hal.science/cea-02489508v1>

Submitted on 24 Feb 2020

HAL is a multi-disciplinary open access archive for the deposit and dissemination of scientific research documents, whether they are published or not. The documents may come from teaching and research institutions in France or abroad, or from public or private research centers.

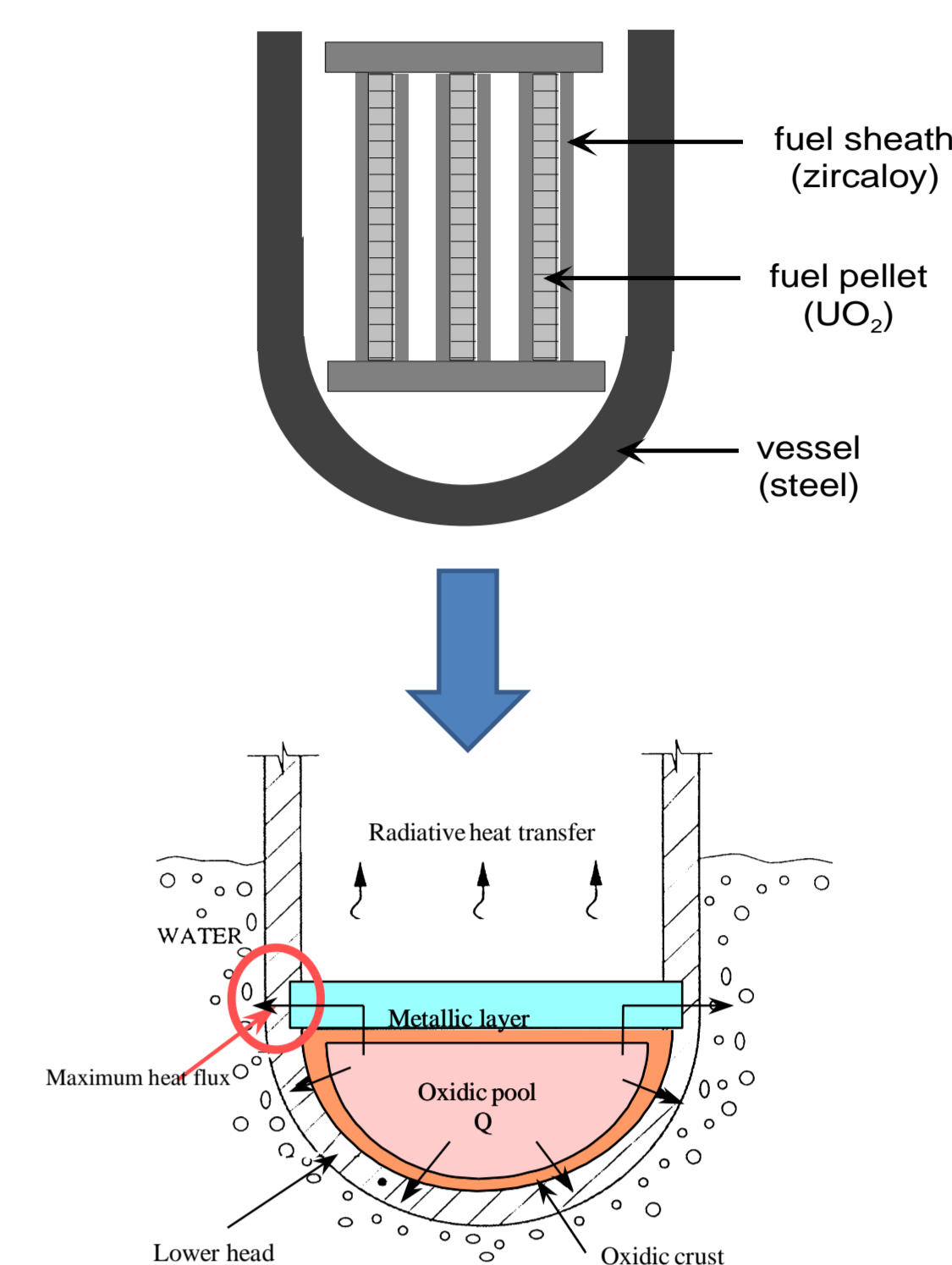
L'archive ouverte pluridisciplinaire **HAL**, est destinée au dépôt et à la diffusion de documents scientifiques de niveau recherche, publiés ou non, émanant des établissements d'enseignement et de recherche français ou étrangers, des laboratoires publics ou privés.

Andrea Quaini¹, Christine Guéneau¹, Stéphane Gossé¹, Thierry Alpettaz¹, Emmanuelle Brackx², Alexis Chocard²,
Renaud Domenger², Dario Manara³, Kostantinos Boboridis³, Patrick Lajarge³, Fiqiri Hodaj⁴

¹ DEN, DPC, SCCME, LM2T, CEA Saclay, 91191 Gif-sur-Yvette Cedex, France,
² DEN, DTEC, SGCS, LMAC, CEA Marcoule, 30207 Bagnols sur Cèze Cedex, France
³ ITU, JRC, EC, 76125 Karlsruhe, Germany
⁴ SIMAP, UMR CNRS 5266, 38402 Saint Martin d'Hères, France

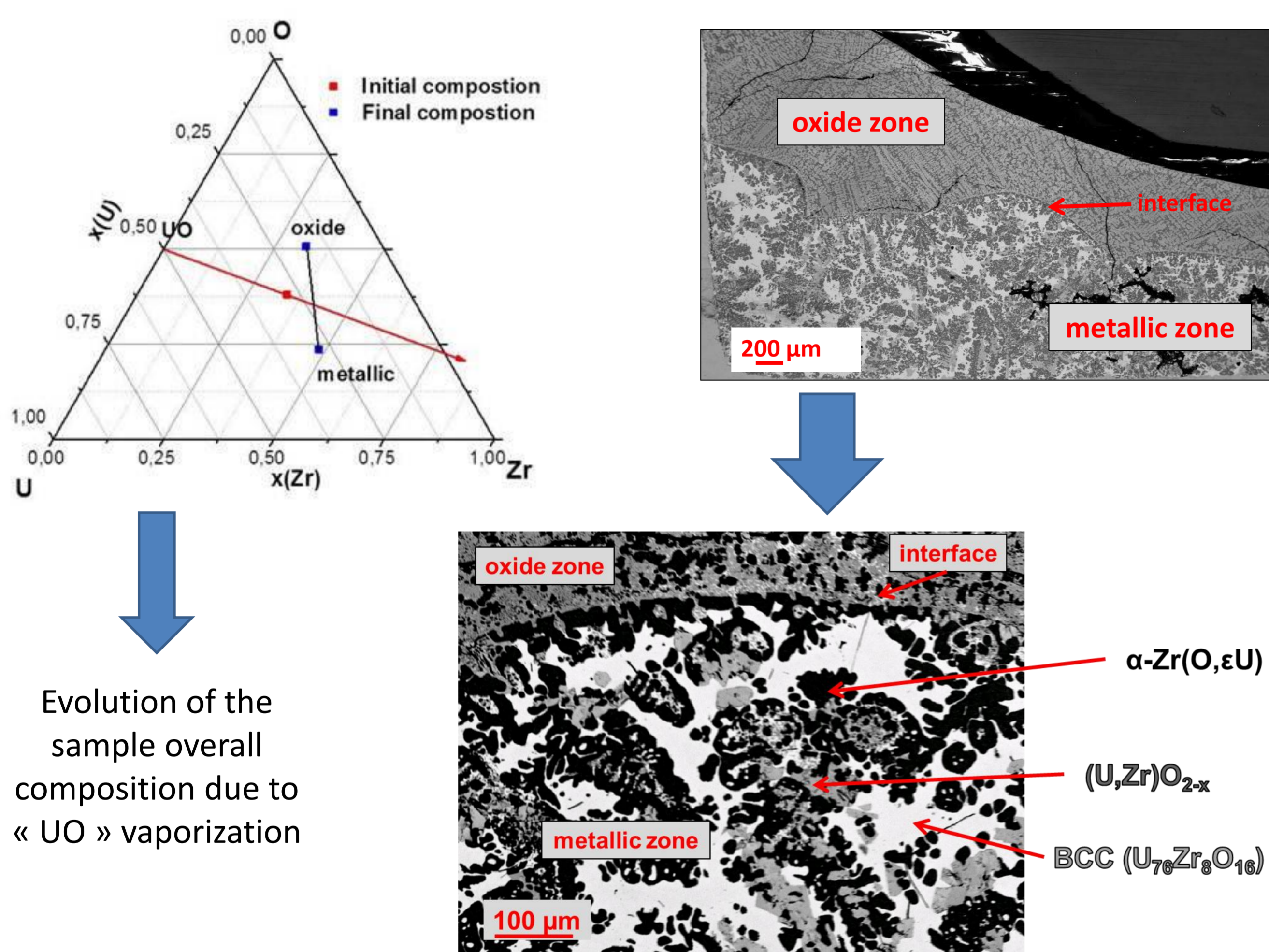
CONTEXT AND PURPOSE OF THE WORK

In case of severe accident in a pressurized water reactor (PWR), the nuclear oxide fuel ($UO_{2\pm x}$ or $(U,Pu)O_{2\pm x}$) could react with the Zr-alloy cladding and subsequently with the stainless steel vessel to form a mixture of solid and liquid phases, designated as "corium". The high temperature thermodynamic properties of this complex mixture have to be properly established to predict the corium behaviour during a severe accident. The approach is to develop a thermodynamic database using Calphad method on the (U-Pu-Zr-O-Fe) system that is representative for $UO_{2\pm x}$ or $(U,Pu)O_{2\pm x}$ fuel, Zr-alloy cladding and steel vessel. A critical analysis of the available experimental data was first performed. Then an experimental work was carried out to provide new phase diagram data in U-Zr-O, Fe-Zr-O, UO_2 - PuO_2 - ZrO_2 sub-systems. Heat treatments in the U-Zr-O and Fe-Zr-O systems allowed for highlighting the existence of miscibility gaps in the liquid state in both systems. The advanced laser heating setup developed in ITU was used to measure temperatures of solid/liquid transitions in the UO_2 - PuO_2 - ZrO_2 sub-system. All the experimental data together with literature data were used to improve the thermodynamic modelling of the (U-Pu-Zr-O-Fe) system. Both experimental and calculated results will be presented on the different corium systems.



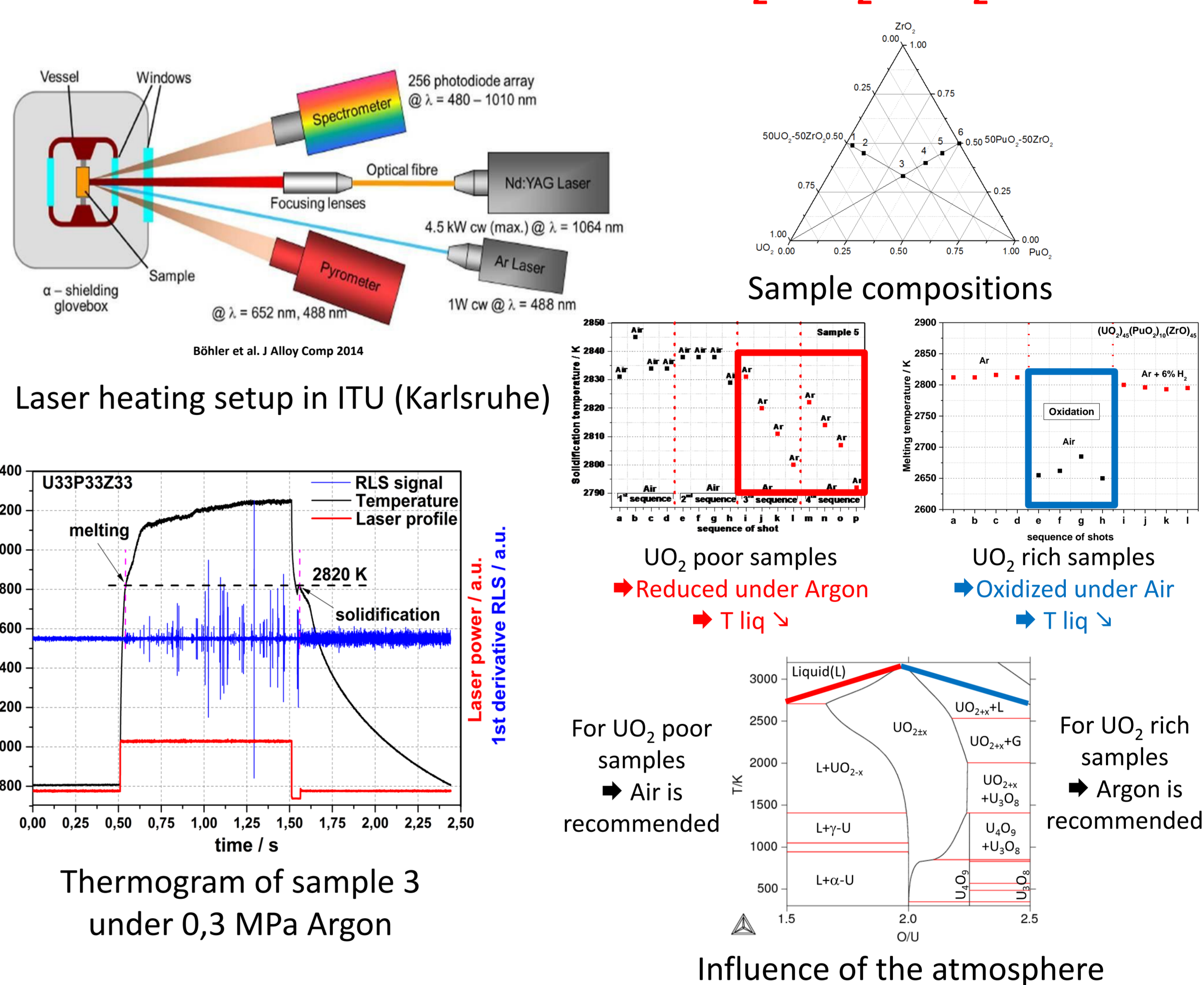
MISCIBILITY GAP IN THE U-ZR-O SYSTEM

- 4 samples (mixtures of U, Zr, ZrO_2) heated at 2567 K for 45 minutes in W crucibles → 2 metallic and oxide liquids
- Characterization using SEM, EDS, WDS → experimental tielines



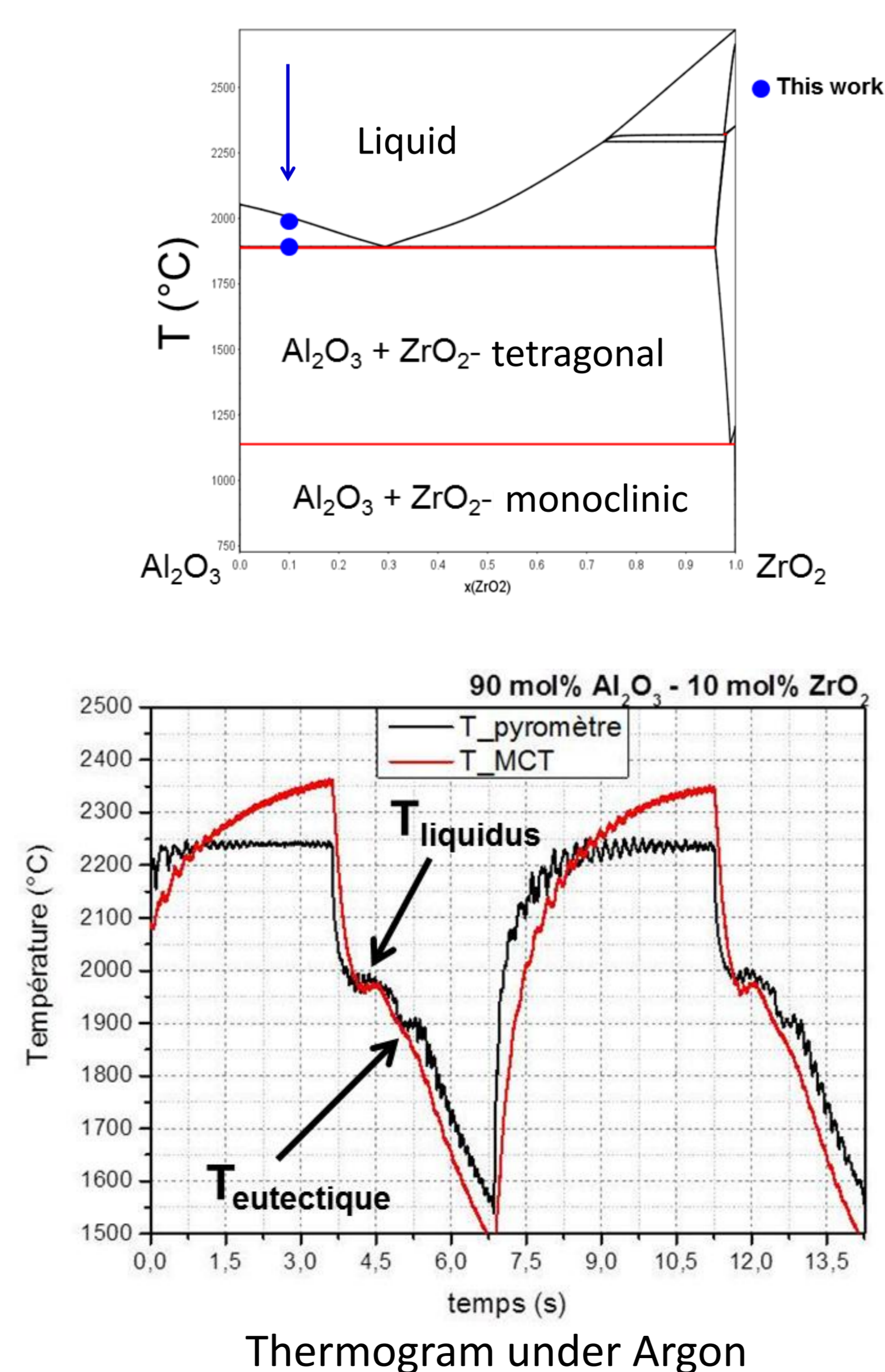
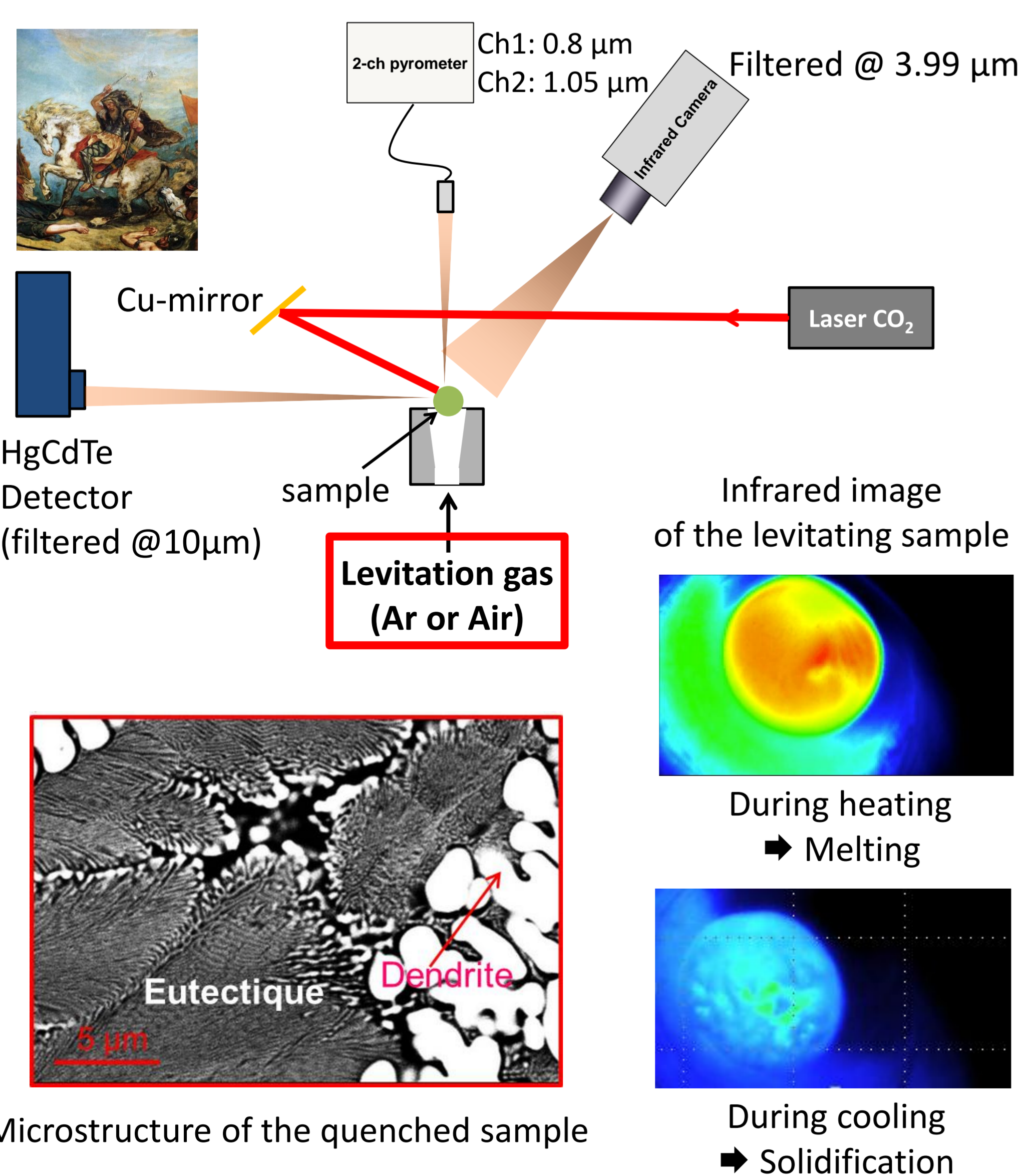
Evolution of the sample overall composition due to « UO » vaporization

SOLIDIFICATION TEMPERATURE IN UO_2 - ZrO_2 - PuO_2 SYSTEM



ATTILHA SETUP DEVELOPMENT

- Phase transition temperature measurements in Al_2O_3 - ZrO_2 system (10 mol. % ZrO_2)



CONCLUSION

- ➔ **New experimental results on corium**
 - Tielines in liquid miscibility gap of U-Zr-O, U-Zr-O-Fe systems
 - Phase transition temperature measurements in U-Zr-O, Fe-Zr-O and UO_2 - PuO_2 - ZrO_2 systems (ITU)
 - Development of the ATILHA new laser heating setup
- ➔ **Improvement of the thermodynamic modelling**
 - UO_2 - PuO_2 - ZrO_2 system
 - U-Pu-Zr-Fe-O system
- ➔ **Application calculations for severe accidents**
 - Solidification paths to interpret the quenched microstructure
 - Corium/concrete interaction (using TAF-ID database for concrete systems)