



**HAL**  
open science

## A new look on irradiated fuels at the CEA Cadarache

I. Zacharie-Aubrun, Th. Blay, C. Ciszak, C. Cagna, S. Chalal

► **To cite this version:**

I. Zacharie-Aubrun, Th. Blay, C. Ciszak, C. Cagna, S. Chalal. A new look on irradiated fuels at the CEA Cadarache. Numat 2016 - The Nuclear Materials Conference 2016, Nov 2016, Montpellier, France. cea-02438355

**HAL Id: cea-02438355**

**<https://cea.hal.science/cea-02438355v1>**

Submitted on 14 Jan 2020

**HAL** is a multi-disciplinary open access archive for the deposit and dissemination of scientific research documents, whether they are published or not. The documents may come from teaching and research institutions in France or abroad, or from public or private research centers.

L'archive ouverte pluridisciplinaire **HAL**, est destinée au dépôt et à la diffusion de documents scientifiques de niveau recherche, publiés ou non, émanant des établissements d'enseignement et de recherche français ou étrangers, des laboratoires publics ou privés.

I.Zacharie-Aubrun<sup>1</sup> – Th.Blay<sup>1</sup> – C.Cisak<sup>1</sup> – C.Cagna<sup>1</sup> – S.Chalal<sup>2</sup>

<sup>1</sup>CEA, DEN, DEC Cadarache, 13108 St Paul Lez Durance, France

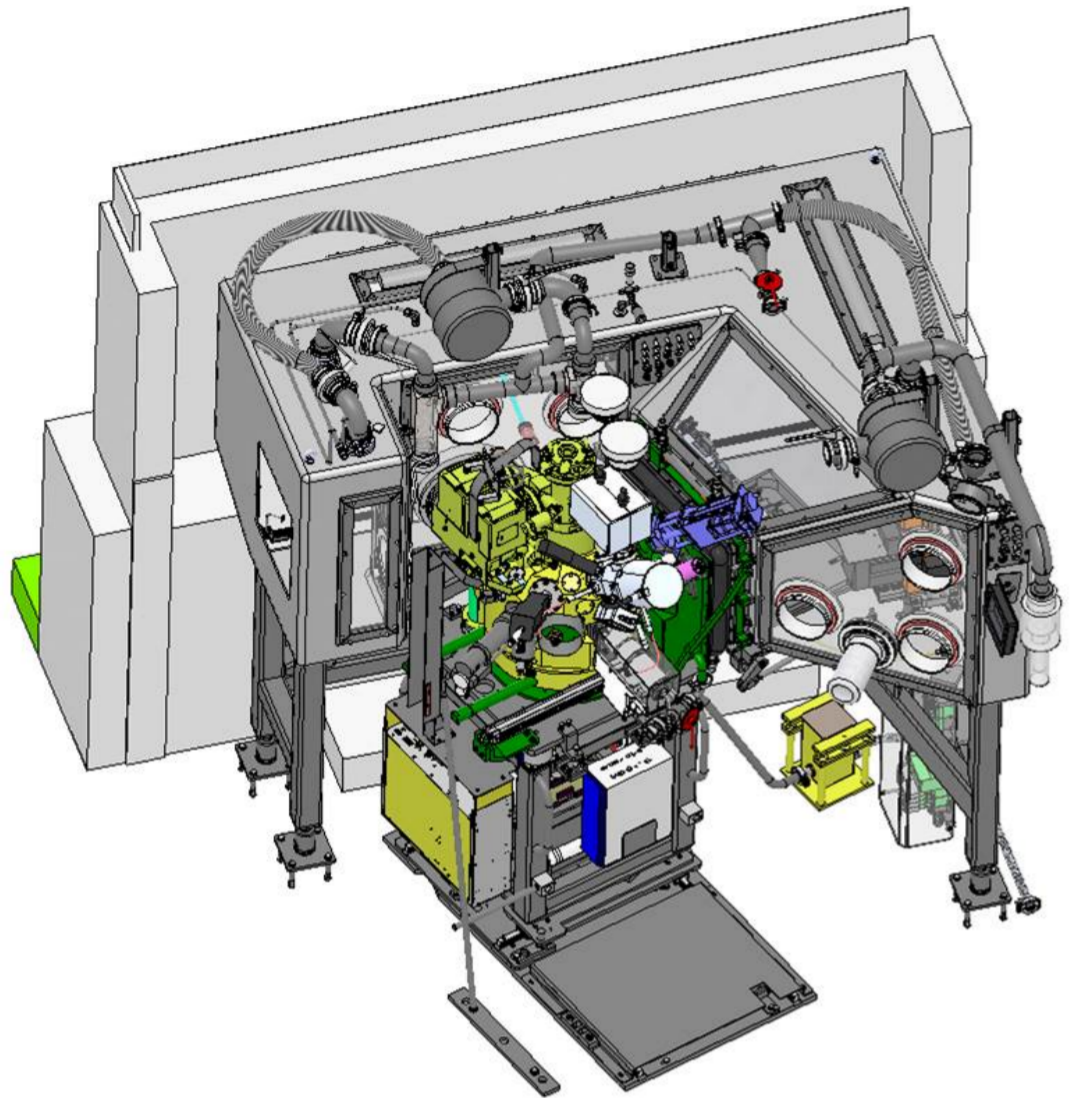
<sup>2</sup>Carl Zeiss, 100 Route de Versailles, 78160 Marly-le-Roi

## Hot cell facility LECA-STAR – FIB SEM

### Shielded room

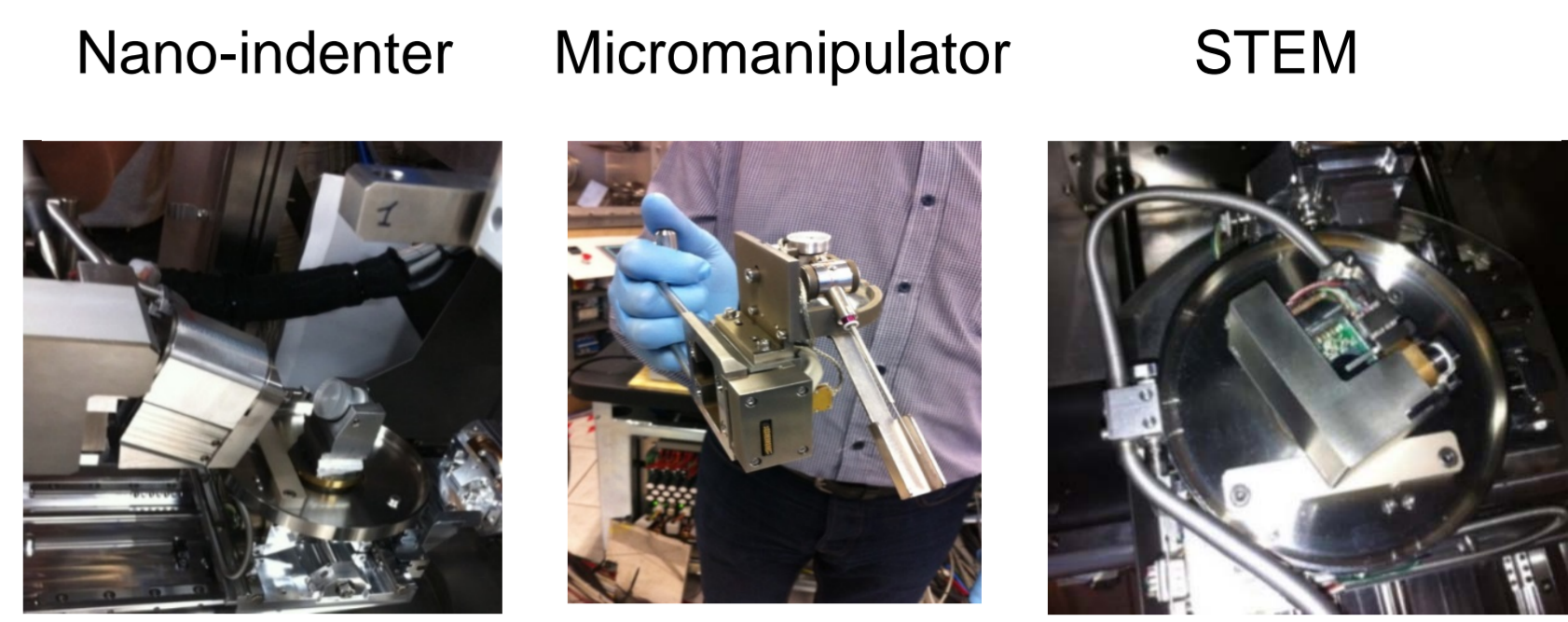
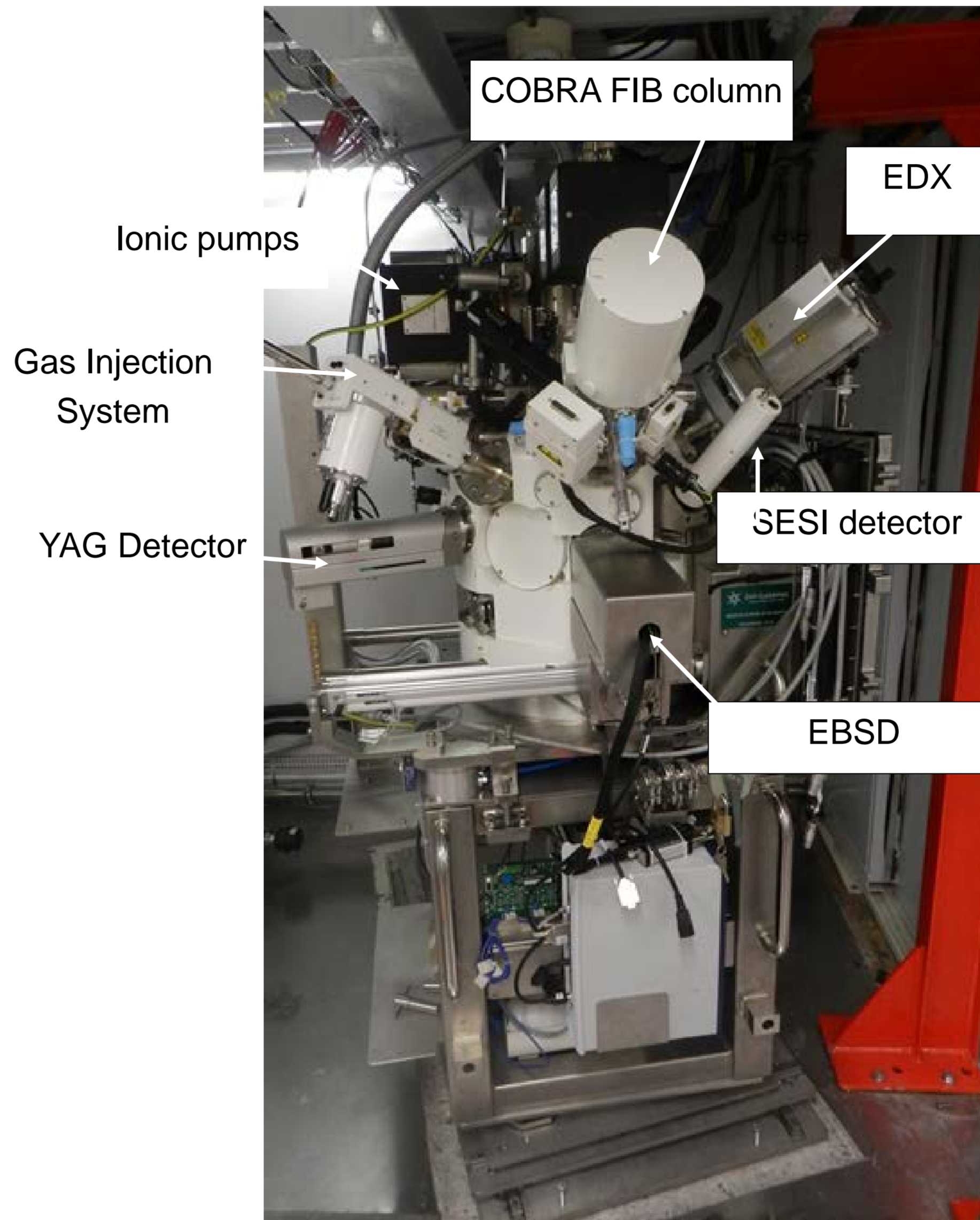


### Glove Box and SEM FIB



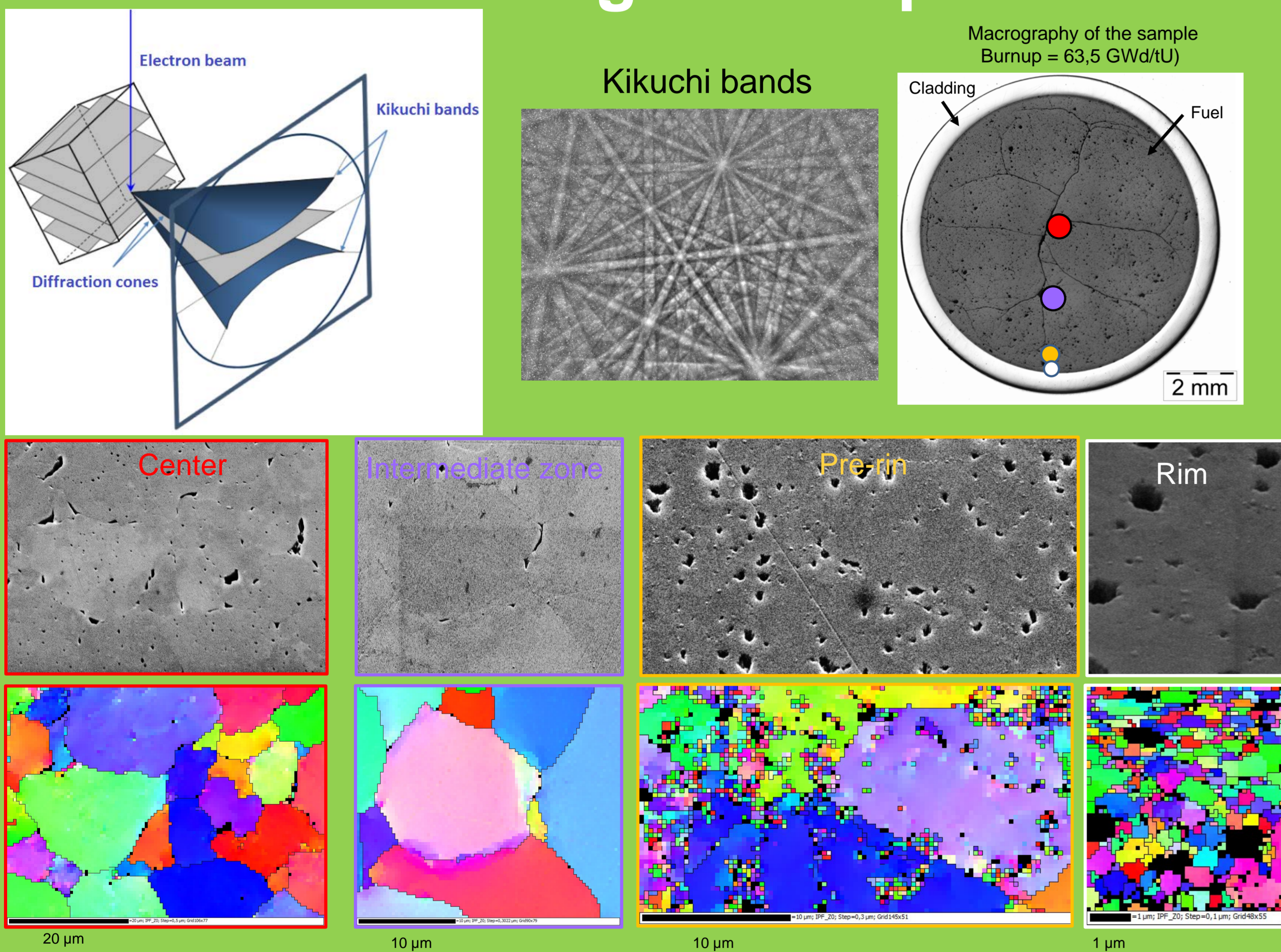
A new **FIB SEM** is operational for **research on nuclear fuels** at the CEA Cadarache. The microscope is installed in a shielded room. It is connected to a glove box, containing the contamination of the samples. The loading of the samples on the FIB SEM stage is done using bar manipulators.

## Detectors and accessories



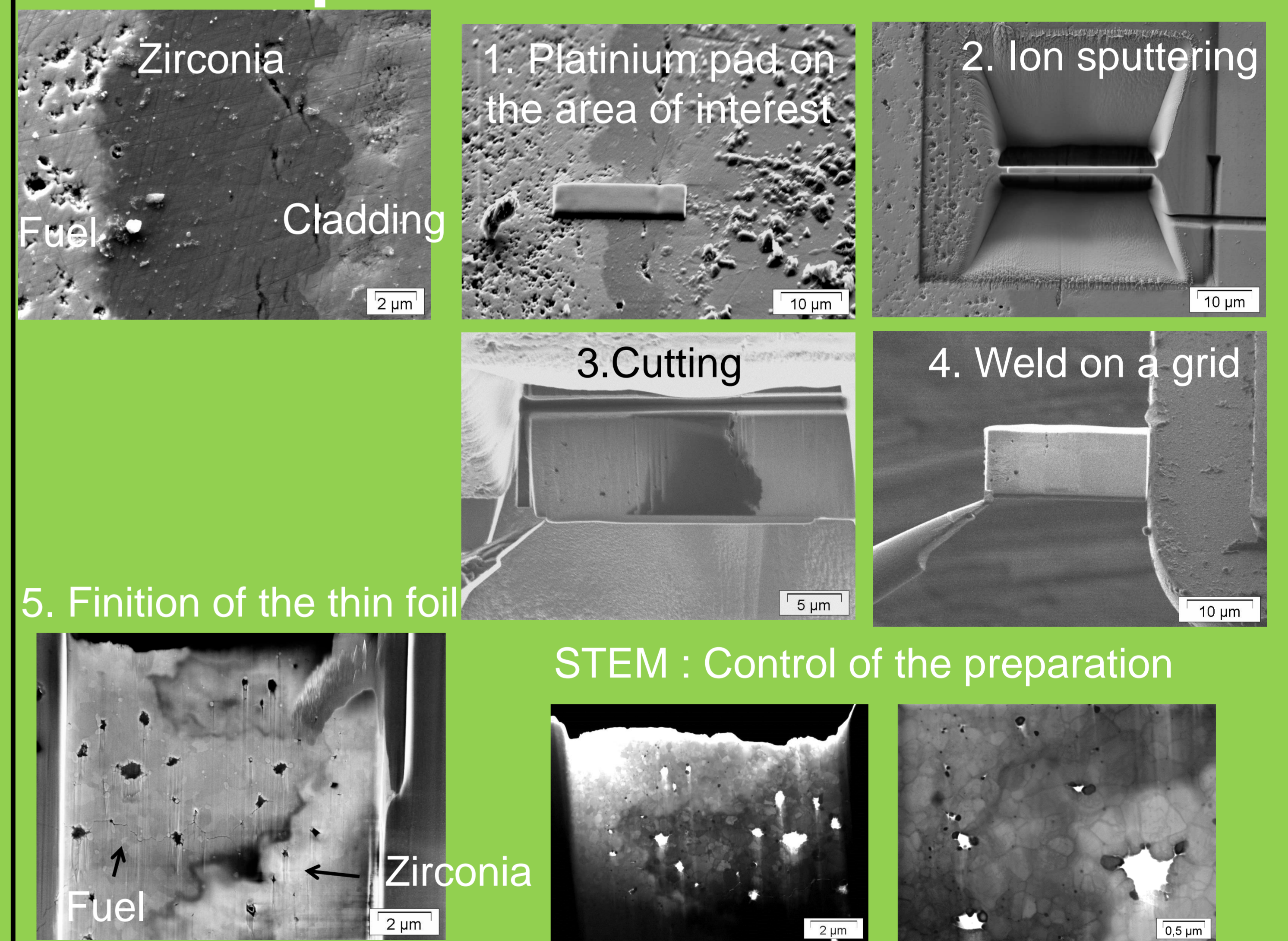
The FIB SEM is a Carl Zeiss Auriga 40 equipped with an Orsay Physics COBRA FIB column. The nano-indenter and the micro-manipulator are mounted on the door of the SEM chamber and the STEM is installed on the stage. All these accessories have to be positioned and connected manually via the gloves, prior to the loading of the radioactive samples. The EDX and the STEM detector must only be used on micro-samples with very low irradiation levels to avoid damage to the sensitive parts of the detectors.

## EBSD on high burnup UO<sub>2</sub>



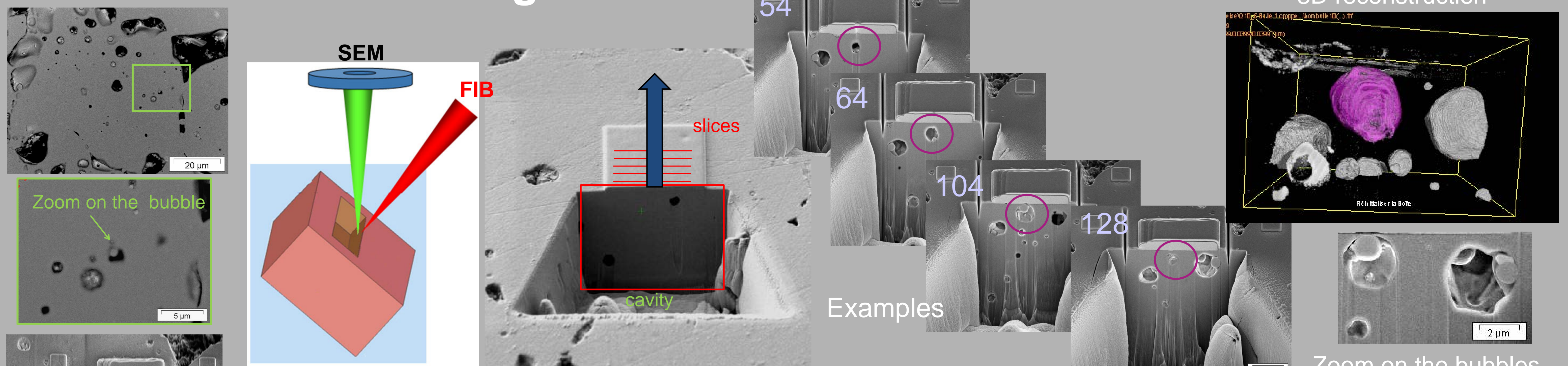
An irradiated UO<sub>2</sub> fuel was analysed by EBSD to observe the grains. Different radial positions in the fuel were studied : here, the center, the intermediate zone, the pre-rim and rim. The grain boundaries have been drawn for a misorientation superior to 10°. In the rim, the initial grains are subdivided in smaller grains.

## Preparation of a thin foil



A thin foil was made by FIB in a zirconia layer created by oxidation between the fuel and the cladding. A pad of platinum (1) was deposited to the area of interest. Then two holes (2) were milled on either side of the layer to provide space for extraction with the micromanipulator. The micron thick specimen was welded at the end of the micromanipulator; cut (3), extracted, welded on a grid (4) and released from the manipulator. The sample was gradually thinned to a thickness of approximately 100 nm using a low intensity and low voltage beam to reduce most of the defects created by the gallium (5). A control of the preparation was realised with a STEM detector.

## 3D –Volume of a fission gas bubble



In connection with the measurement by SIMS of the fission gaz in a bubble, a 20x10x10 μm<sup>3</sup> cuboid of fuel was sputtered by ion beam to measure the exact volume of this same bubble. A 1 μm thick pad of platinum was deposited to protect the surface of the cube. A large cavity was made in front of the cube to provide a clear SEM view. The cube was sliced with the ion beam with 30kV-600 pA conditions, acquiring a SEM image at each step of 40 nm with a voltage of 10 kV. A stack of slices were then registrated and the bubbles were reconstructed in 3D using ORS software. The 3D shape of the bubble is ellipsoidal and the volume of the bubble of interest measures 14,1 μm<sup>3</sup>.