



HAL
open science

Nano-shaped hot-wire for ultra-high resolution anemometry in cryogenic helium

Pantxo Diribarne, Pierre Thibault, Philippe-Emmanuel Roche

► To cite this version:

Pantxo Diribarne, Pierre Thibault, Philippe-Emmanuel Roche. Nano-shaped hot-wire for ultra-high resolution anemometry in cryogenic helium. *Review of Scientific Instruments*, In press. cea-02282964v1

HAL Id: cea-02282964

<https://cea.hal.science/cea-02282964v1>

Submitted on 10 Sep 2019 (v1), last revised 15 Oct 2019 (v3)

HAL is a multi-disciplinary open access archive for the deposit and dissemination of scientific research documents, whether they are published or not. The documents may come from teaching and research institutions in France or abroad, or from public or private research centers.

L'archive ouverte pluridisciplinaire **HAL**, est destinée au dépôt et à la diffusion de documents scientifiques de niveau recherche, publiés ou non, émanant des établissements d'enseignement et de recherche français ou étrangers, des laboratoires publics ou privés.

Nano-shaped hot-wire for ultra-high resolution anemometry in cryogenic helium

Pantxo Diribarne,^{1,2, a)} Pierre Thibault,^{1,2} and Philippe-Emmanuel Roche¹

¹⁾*Institut NEEL, CNRS, Université Grenoble Alpes - F-38042 Grenoble, France*

²⁾*dSBT/IRIG CEA, Université Grenoble Alpes - F-38054 Grenoble, France*

(Writing in progress: 3 September 2019)

We present the principle, modelling, and the first implementation of a new type of high resolution hot-wire anemometer designed to operate at cryogenic temperatures and very high Reynolds numbers. Its spatial resolution of a few micrometers is comparable to the most spatially-resolved hot-wires reported in the literature. Compared to existing designs, its fabrication involves a limited number of steps, essentially the shaping at nanoscales of a superconducting NbTi wire of sub-micron diameter. The velocity spectra in the far wake of a centimeter-sized grid is measured as a proof of concept in stringent flow conditions.

I. INTRODUCTION

Among turbulent flows, the most intense ones are characterized by the widest separation between the typical sizes L and η of the largest and the smallest eddies¹. The dimensionless Reynolds number (Re) is commonly used to quantify turbulence intensity and it is directly related to this size ratio $Re \simeq (L/\eta)^{4/3}$. Very large Reynolds numbers (say $Re \gtrsim 10^6$) are met in various environmental and industrial flows, and are of special interest to models accounting for the universal scaling properties of turbulence when $Re \rightarrow \infty$.

Such intense turbulence levels can also be produced in the laboratory using fluids of very low viscosity. Most often, cryogenic helium is chosen for its favorable properties², either in its liquid (see e.g. Ref. 3 and 4) or gaseous state (see e.g. Ref. 5–7), but large-scale room-temperature facilities can also reach very high Re using pressurized air (see e.g. Ref. 8) and pressurized SF₆ (see e.g. Ref. 9). Unfortunately, the wide separation in eddy sizes in these laboratory flows -e.g. 4.5 decades for $Re \simeq 10^6$ - implies that the smallest eddies are often tinier than 10 microns, that is out-of-reach of the best commercial anemometers, by two-decades.

Thus, over the last decades, significant efforts have been dedicated to the development of high-resolution thermal anemometers for very high Re turbulence experiments. Thermal anemometers with a spatial resolution from 25 microns down to few microns have been hand-made specifically for cryogenic flows, either using carbon fibers⁵ or glass fibers coated with metals or superconductor^{7,10,11}. Some fully micro-fabricated anemometers with a spatial resolution of order 50 microns have been recently developed in Princeton^{12,13} and Tel Aviv¹⁴ for room temperature operation, and others with a spatial resolution of a few microns have been recently reported in Grenoble, both for room and cryogenic temperatures¹⁵.

The present study proposes a new concept for thermal anemometry in cryogenic helium flows, typically be-

low 5 K. It relies on a sub-micron superconducting fiber shaped with a focused ion beam. Compared to the previous designs, it benefits from a significantly reduced number of fabrication steps while preserving the record resolution of few microns achieved by other probes.

II. OPERATING PRINCIPLE

Like in traditional hot-wire anemometers, the velocity measurement principle is based on the overheating of the central region of a wire of sub-micron diameter (here $D \simeq 400$ nm), held on a supporting fork facing the flow. Unlike traditional hot-wires, the wire material is NbTi, which has a superconducting state below $T_c \simeq 10$ K, and a normal (resistive) state above this transition temperature.

In nominal operation conditions, the central region of the wire is kept in its normal state ($> T_c$) by Joule effect, while the outer part of the wire remains in a superconducting state thanks to the cooling by the flow of temperature $T_0 < T_c$. Thus, the total electrical resistance R of the wire is fully determined by the length δ of the central region of the wire.

The length δ of the normal region, and therefore the wire resistance R , depends on the balance between the Joule effect and the efficiency of the cooling process (forced convection), and it thus directly relates to the velocity of the flow.

This measuring principle is inspired from previous works by Castaing and co-workers¹⁰. A key difference of the current design is that the central region, which ignites the superconducting to normal transition, is created mechanically by a local reduction of the cross section of a superconducting wire, and not by mean of a resistive coating surrounded by superconducting coatings on a glass fiber.

In the absence of an electrical current, the wire is entirely superconducting at its working temperature (here $T_0 \lesssim 5$ K) and a current must ignite the transition from the superconducting state to the normal state in the central region (see figure 2). For this purpose, the wire is driven with a current greater than $I_{c-1}(T_0)$, the critical

^{a)}Electronic mail: pantxo.diribarne@univ-grenoble-alpes.fr

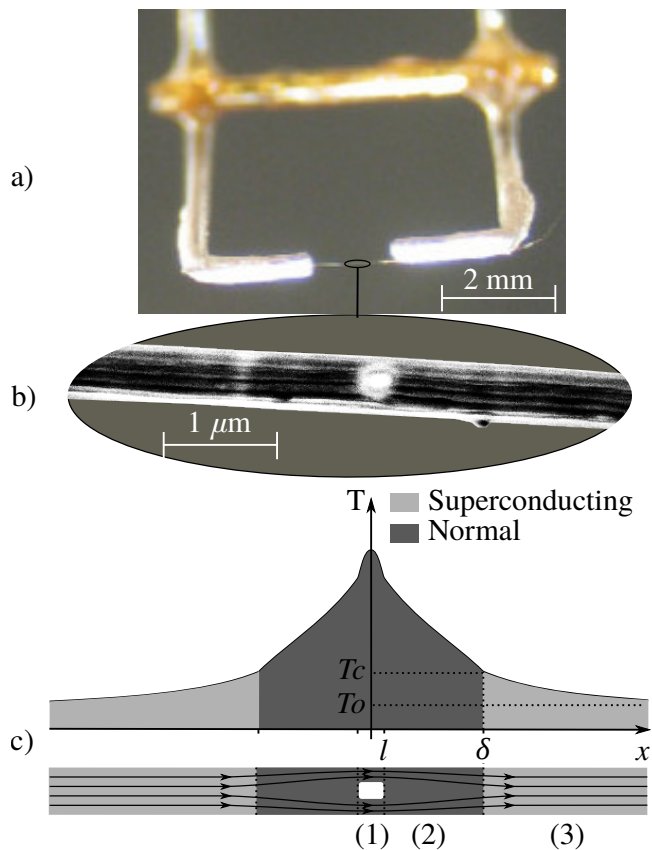


FIG. 1. Illustration and images of the hot-wire. a) Picture of the wire stretched between the tips of the prongs. b) Scanning electron microscopy picture of the NbTi wire with its reduced cross section drilled using a Focused Ion Beam (central rectangular hole). c) Typical temperature profile along the wire and schematic of the three regions of the wire in nominal operating conditions: (1) normal state with reduced cross-section, (2) normal state, (3) superconducting state.

current of the central region at temperature T_0 . For such a current, the first appearance of a resistive/dissipative section triggers a global transition of the whole wire to the normal state. In order to let most of the wire recover its superconducting state, and to get a stable hot-spot in the central region only, the current is then decreased below a current $I_\infty \ll I_{c-1}(T_0)$. In the superconducting magnets literature (see e.g. Dresner's review¹⁶), I_∞ is the maximum current to achieve *cryostability*, i.e. the current below which the cable will recover its superconducting state, whatever the extent of the perturbation.

In practice, the ignition of the hot spot is obtained by first choosing a current $I \lesssim I_\infty$ and then by submitting the wire to a rapid pulse of current $\delta I \approx I_{c-1}$.

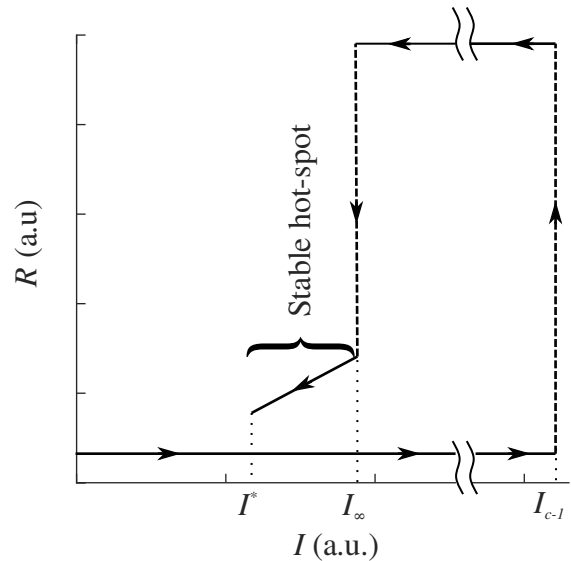


FIG. 2. Sketch of the current cycle that is needed in order to ignite the hot spot: the hot-wire is submitted to a fast pulse of current in order to pass the critical current and finally only leave the central region in the normal state.

III. MANUFACTURING

The original NbTi wires are extracted from a multifilament cable. The main stages of manufacturing involve the isolation of a single wire, the electrical contacting between two prongs and finally the local etching to reduce the wire cross-section.

The multifilament cable we use is made of about one million NbTi non-twisted filaments with diameters in a range $0.4 \mu\text{m} < D < 1 \mu\text{m}$, enclosed in a copper matrix. The matrix is eliminated by dipping the bare cable into a 35% nitric acid solution. While the copper dissolves, the NbTi wires remain intact. The tangle of NbTi filaments is then rinsed with water and spread on a glass plate so as to ease the wire separation after drying. The next stage consists in manually extracting a single wire, using fine tweezers under a binocular magnifier. The wire is then stretched between the prongs of the definitive support (see figure 3).

The next stage is the electrical contacting which requires a great care to prevent the resistive dissipation that may occur at the contacts between the wire and the prongs and that would lead to additional and undesired hot spots. The wire surface is thus first cleaned with an Ar plasma. A thick layer (in general $1 \mu\text{m}$) of aluminum or gold is then deposited by evaporation under secondary vacuum. During this operation, the central region of the wire is protected against metal deposition by a 1 mm wide mechanical mask, so that the sensitive part of the wire is not short-circuited by the metal.

Eventually, the reduction of the cross-section of the wire in the central region is achieved using a gallium-

based Focused Ion Beam (FIB). We first take a picture of the wire and then choose the rectangular area to be etched. We then process to the gallium beam etching which lasts only a few seconds. Three etching shapes have been tested (see the left side of figure 3): a "saw-cut" lateral etching, a directional erosion of the top surface, and a square-shaped-hole drilling through the wire. From the mechanical resistance point of view, the hole was found to be the most satisfactory shape. It allows for the removal of matter in the center of the wire, where the mechanical constraints are smaller than in the outer part.

The size of the hole must be chosen carefully. As expected, large holes lead to mechanically fragile sensors. On the other hand, large holes are more favorable from the thermal stability point of view, as will be shown in Paragraph V. We found empirically that the largest holes that led to workable sensors had dimensions $D/2 \times D/2$ where D is the diameter or the wire. This results in a section ratio $\alpha = S_{\text{raw}}/S_{\text{etched}} \approx 2.56$.

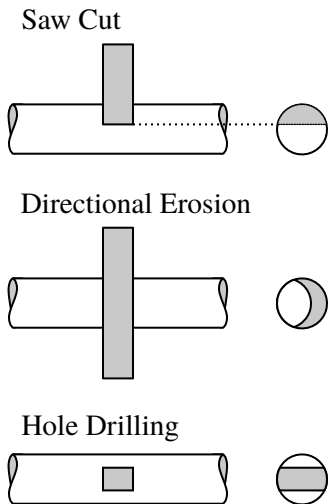


FIG. 3. Schematic of the three main etching shapes that were realised. Between the 3 shapes - i) Saw Cut, ii) Directional Erosion and iii) Hole Drilling, iii) gave the best results.

IV. CALIBRATION CURVE AT CONSTANT CURRENT

The results discussed in this section were obtained with a wire 500 nm in diameter. The hole cross-section is about 500 nm long by 250 nm large as estimated from the scanning electron microscope (SEM) pictures. From those values, the section ratio can be estimated to be $2 < \alpha < 2.5$.

We use liquid helium ($T_0 = 3.3\text{ K}$) as the working fluid. Its pressure is kept higher than the critical pressure $P_{\text{crit}} \approx 2.2\text{ Bar}$ to avoid the onset of boiling at the surface of the wire.

The wire is tested in a small grid flow driven by a cryogenic pump allowing to reach velocities up to about 4.6 m/s in a tube of diameter 5 mm. The calibration is done at constant current using the procedure described in Section II with $\delta I = 6\text{ mA}$ current pulses. For each velocity, we first find the minimal current allowing a hot spot to self-sustain after a current pulse, we then increase the current and measure the resulting voltage.

Figure 4 shows the resistance R (right axis) as a function of the current I (x-axis) for various velocities v . From resistance values, the length of the hot spot is inferred (see left axis) using the following relationship:

$$R = 2(lr_1 + (\delta - l)r_2), \quad (1)$$

where $r_2 \approx 4.8\ \Omega/\mu\text{m}$ is the resistance per unit length of the raw wire in its normal state, $r_1 = \alpha r_2$ the estimated resistance per unit length of the reduced section area, and where $l \approx 250\text{ nm}$ is the half-length of the hole and δ is the half-length of the hot-spot.

At null forced velocity, no stable hot-spot can be obtained: after a current pulse, the hot-wire returns to superconducting state for $I \lesssim 0.295\text{ mA}$ and remains entirely normal for $I \gtrsim 0.295\text{ mA}$.

After turning on the flow, stable hot-spots are observed from the smallest achievable velocity, $v = 1.6\text{ m/s}$, up to the largest one, $v = 4.6\text{ m/s}$. For a given velocity, we denote I^* the smallest current at which a stable hot-spot is observed and δ^* the corresponding length of the hot-spot. The length of the hot-spot increases with the current up to a current I_∞ at which the wire transits entirely to its normal state.

As the velocity is increased, both I^* and I_∞ increase, but the latter faster than the former, so that the range of currents for which the hot-spot is stable tends to broaden with velocity.

The minimal half-length of the hot-spot δ^* , which can be seen as the spatial resolution of the sensor, is generally one order of magnitude larger than l , the half-length of the reduced section area. Note also that δ^* , and thus the best achievable resolution, decreases as the velocity is increased.

V. THERMAL EXCHANGE MODEL

To model the hot wire response, we make three main hypotheses. First, the temperature of the wire is assumed to be homogeneous across its section, so that the temperature profile is only a function the longitudinal dimension x (1D hypothesis). Second, we assume that the wire response time is much shorter than velocity fluctuations time scales, so that the wire is always in thermal equilibrium (quasi-static hypothesis). Both hypotheses are common in cryogenic thermal micro-anemometry and result from the vanishingly small heat capacity of most solids as compared to liquid helium at low temperature^{7,10,11,17,18}. Third, we assume that the sensor can be divided into three regions with the following properties (see figure 1):

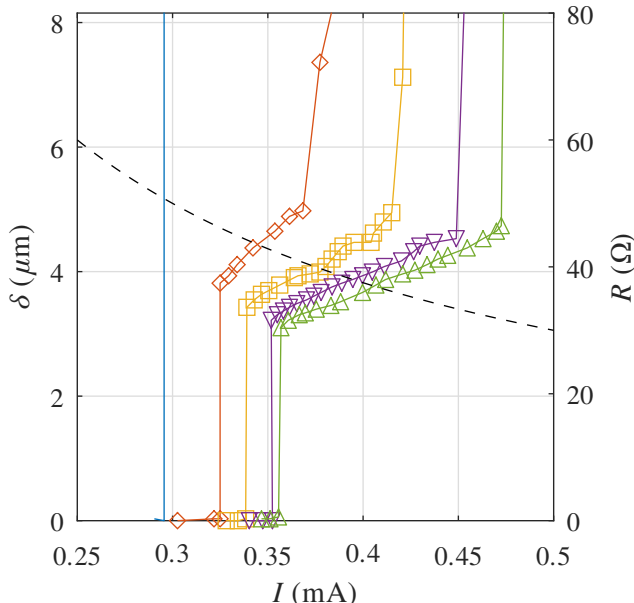


FIG. 4. Measured resistance of the wire (right axis) and corresponding estimated hot-spot length (left axis) as a function of the current for various velocities: 0 m/s (no symbol), 1.6 m/s (\diamond), 2.3 m/s (\square), 3.4 m/s (∇) and 4.6 m/s (\triangle). The dashed line indicates the hot-spot length (and resistance) for a fixed driving voltage $V = 15$ mV across the wire.

- The central region (1) of length $2l$ which has a reduced cross section. In nominal conditions, this region is in normal state and its resistance per unit length is r_1 .
- The region (2) on both sides of the central region, which is also in normal state in nominal conditions and has a resistance per unit length r_2 and length $\delta - l$ each. Depending on the current this region may or may not exist.
- The outer region (3). In nominal conditions, the wire is in its superconducting state and shows no resistance ($r_3 = 0$).

Given a wire of raw diameter D , one can compute the resistances per unit length as follows: $r_2 = 4\rho_{\text{NbTi}}/\pi D^2 = r_1/\alpha$ where ρ_{NbTi} is the electrical resistivity of NbTi in the normal state.

The local thermal equilibrium in each region can then be written as a balance between a Joule heat source, a conductive heat flux along the wire and a convective heat flux to the fluid:

$$r_i I^2 = -K_i \frac{d^2 T}{dx^2} + K_h (T - T_0), \quad (2)$$

where $i \in [1, 2, 3]$ and $K_i = k_{\text{NbTi}} \mathcal{S}_i$. k_{NbTi} is the thermal molecular conductivity of the wire and \mathcal{S}_i is the cross section of the considered region. $K_h = \pi k_{\text{He}} Nu$ where

Nu is the Nusselt number that depends on the velocity of the fluid around the wire.

A similar equation was already discussed by Castaing in a previous hot-wire study¹⁰, and its resolution can be formally ported to the present case. Thus, the resolution of this equation leads to a temperature profile of the form:

$$T(x) = T_0 + \frac{r_i I^2}{K_h} + \Delta_+ e^{x/\Lambda_i} + \Delta_- e^{-x/\Lambda_i}, \quad (3)$$

where $\Lambda_i = \sqrt{K_i/K_h}$ is the characteristic spreading length of the hot spot in region i and where Δ_+ and Δ_- are constants that depend on the boundary conditions.

At low current, the temperature at $x = l$ is below T_c , and only regions (1) and (3) exist. The current I_l at which $T(l) = T_c$ is obtained from eq. 3:

$$I_l = \left[\frac{K_h (T_c - T_0)}{r_1} \left(1 + \frac{\Lambda_3}{\Lambda_1} \coth \frac{l}{\Lambda_1} \right) \right]^{1/2}. \quad (4)$$

In principle, the resolution of eq. 3 should take into account the fact that the critical temperature itself is a function of the current. Such a correction is left for future improvements, and we have assumed that $T_c \approx T_c(I = 0)$.

Note that, as will be shown later, this current I_l is not necessarily the smallest current at which region (2) may exist or not correspond to a stable state.

In any event, the equilibrium current I_y as a function of the normalized length of region (2), $y = (\delta - l)/\Lambda_2$, is determined by the condition $T(\delta - l) = T_c$ in eq. 3. Some simple analytics lead to:

$$I_y = I_l e^{y/2} \left[1 + \frac{r_2}{r_1} \left(\frac{\Lambda_3}{\Lambda_1} \coth \frac{l}{\Lambda_1} \sinh y + 2 \sinh^2 \frac{y}{2} \right) \right]^{-1/2}. \quad (5)$$

Finally, beyond a threshold current I_∞ , no stable hot-spot can be observed as the length of region (2) extends to infinity:

$$I_\infty = \lim_{y \rightarrow \infty} I_y = \left[\frac{2K_h (T_c - T_0)}{r_2} \right]^{1/2}. \quad (6)$$

Although the mathematical formulation of this model is similar to the previous model by Castaing et al.¹⁰, the value of the parameters greatly differs, in such a way that eq. 5 now corresponds to both stable and unstable solutions, which were not studied in previous papers. The main difference with previous cryogenic hot-wires design lies in the resistance ratio $\alpha = r_1/r_2$ which is here necessarily small. Indeed, as previously mentioned, due to mechanical constraints, it is unsafe to reduce the wire section by a factor larger than $\alpha \approx 2.5$. When α

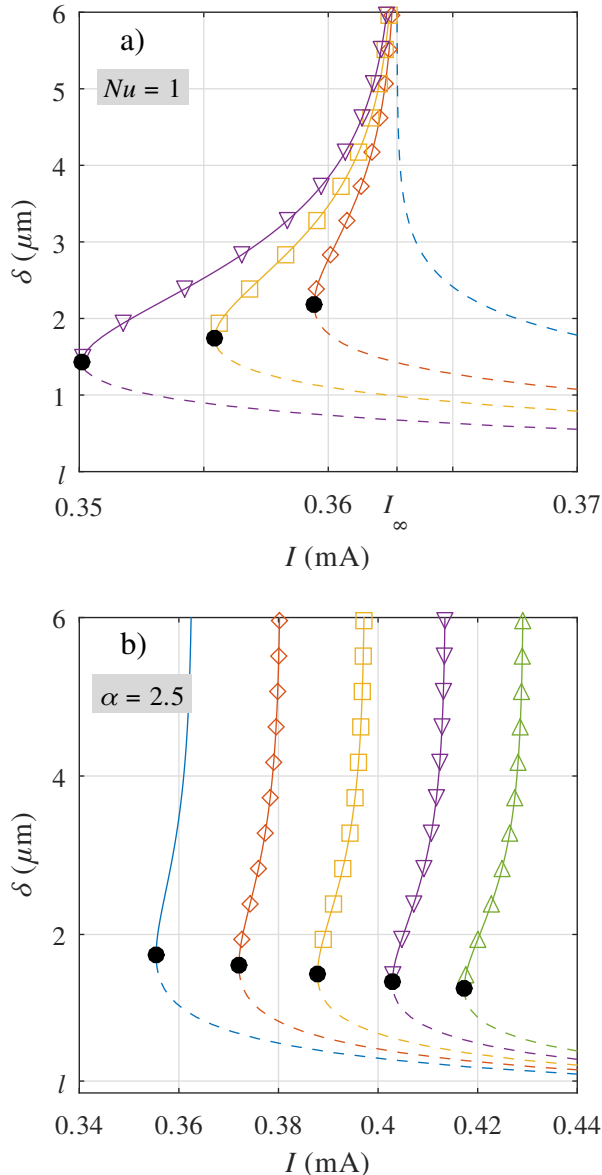


FIG. 5. a) Half-length δ of the normal region according to equation 5 for $Nu = 1$ and various cross-section ratios: $\alpha = 1$ (no symbol), $\alpha = 2$ (\diamond), $\alpha = 2.5$ (\square), $\alpha = 3$ (∇). b) Half-length δ of the normal region according to equation 5 for $\alpha = 2.5$ and various Nusselt numbers: $Nu = 1$ (no symbol), $Nu = 1.1$ (\diamond), $Nu = 1.2$ (\square), $Nu = 1.3$ (∇) and $Nu = 1.4$ (\triangle). Black dots indicate the coordinates of (δ^*, I^*) for each set of α and Nu parameters, which are the limits between the stable (solid line) and unstable branches (dashed lines).

is large enough, the current I_y increases monotonically with the normalized length of region (2), y , which means $dI_y/dy > 0$. The latter is not always true for arbitrary values of α . The stability condition $dI_y/dy > 0$ is only met for transited lengths larger than a threshold δ^* . Using eq. 5 one finds for the stability limit:

$$\delta^* = l + \Lambda_2 \log \left[\frac{\alpha^{1/2} \coth(\alpha^{1/2} l / \Lambda_2) - 1}{\alpha - 1} \right]. \quad (7)$$

Here, $2\delta^*$ is the length of the smallest achievable hot spot with a given section ratio α and Nusselt number Nu .

In figure 5 we have represented the length of the normal region δ as function of the current I according to equation 5, for variable section ratios (top) and Nusselt numbers (bottom). Helium and NbTi properties were taken from the literature¹⁹. The thermal conductivity of NbTi varies almost one decade over the temperature range of interest²⁰ and we chose the average value in this temperature range.

Even though this model is an approximation of the actual physics, it clearly succeeds in capturing most of the features observed in section IV. The minimal stable length δ^* (see black dots in figure 5) decreases with the Nusselt number as observed experimentally, and the extent of the current range for which a stable hot spot can be observed, $I_\infty - I^*$, increases with the Nusselt number.

This model provides a robust explanation for the fact that we were not able to observe hot-spots with spatial extent as small as l . It shows that the best achievable resolution of this kind of sensors will depend on the Nusselt number for a given section ratio α . This intrinsic limitation will mostly be visible for very small Nusselt numbers and shall disappear as the velocity is increased.

VI. VELOCITY FLUCTUATIONS MEASUREMENTS

In this paragraph, after describing a specially-developed electronic driver, we present some measurements in a turbulent grid flow.

A. Constant voltage driver

An electronic device was specifically designed for the purpose of driving this hot-wire. The main requirements that had to be fulfilled were the thermal stability of the hot-spot together with a fast response of the output signal.

As shown in paragraphs V and IV, the wire exhibits a hysteretical behavior: if the central region happens to become superconducting during a measurement, the anemometer has to be reignited, which leads to discontinuous measurements periods. There are three common ways to drive a hot-wire: constant current, constant voltage and constant resistance (or temperature).

Constant temperature (or resistance) anemometers are very popular due to their ability to decrease the temporal response time. This feature is mainly due to the fact that preventing temperature fluctuations is a powerful way to work around the thermal inertia of the wire. In the case

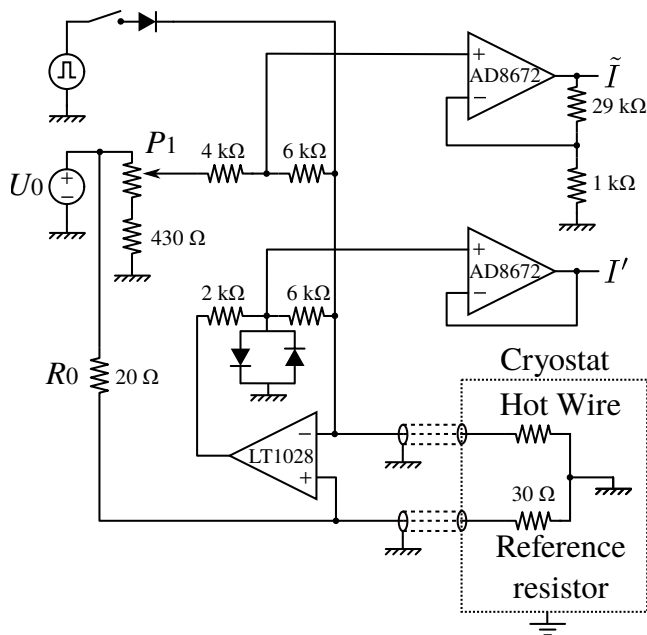


FIG. 6. Schematic of the constant voltage anemometer driver. The operational amplifiers LT 1028, which maintains the constant voltage across the sensor, is wired to produce a $6\text{ k}\Omega$ transimpedance gain. For a nominal, 20 mV voltage across the sensor, the resulting voltage gain is about $6\text{ k}\Omega/R_{\text{wire}} \approx 200$. The actual circuit was etched on standard fiber-glass and copper board with a ground layer on each face and SMD resistors and diodes.

of cryogenic sensors, the specific heat of superconducting and metallic materials becomes so low that the response time is dominated by the calorific capacity of the thermal boundary layer. Thus constant temperature operation is not as crucial at low temperature, because the calibration accounts for the consequences of the wire temperature fluctuations.

Constant current anemometers are the simplest from a technological point of view. They also generally exhibit the best signal to noise ratio. However, since the sensitivity $\frac{T}{R} \frac{dR}{dT}$ of our sensor is positive, the constant current framework is possibly unstable: an increase of the velocity leads to a decrease of the mean temperature and of the overall resistance, which finally decreases the amount of dissipated power. This scenario, when combined with eventually large turbulence ratios, leads to frequent extinctions of the hot-spot.

From this point of view, constant voltage driving is self controlled: an increase of the velocity leads to an increase of the dissipated power, which prevents the central region of the wire from becoming superconducting during a measurement. Another advantage of the constant voltage setup is that it tends to maintain the wire in the middle of the range of stable currents (see dashed line in figure 4). Note though that constant voltage (and constant temperature) anemometry can be biased by the

voltage drop across the cables to the sensors²¹. This effect is less pronounced for sensors with resistances of several tens of ohms, like the present one.

We have designed a constant voltage electronic driver adapted to our wires (see figure 6) inspired from original works by Sarma²².

The base principle is to use a fast differential amplifier to maintain the same voltage across a reference resistor, driven with a constant current, and the hot-wire. The reference voltage across the resistors can be tuned by changing the current source (a tuneable reference voltage source in series with a large resistor $R_0 \gg R_{\text{ref}}$) feeding the reference resistor.

The current I that flows into the hot wire is the composed of a stationary current \tilde{I} , and a fluctuating current I' : $I = \tilde{I} + I'$. The stationary current \tilde{I} is adjusted using a potentiometer P_1 in order to minimize the time averaged fluctuating component: $\langle I' \rangle \approx 0\text{ A}$. This way, the fluctuating component, which is generally small, can be further amplified.

Three features were added to the original design by Sarma²²:

- The reference resistor is deposed as close as possible to the hot wire (inside the cryostat) so that both of them are submitted to the same environmental noise. This allows for a better noise rejection electromagnetically noisy environments.
- A diode bridge prevents the current in the wire from reaching too large values in case the wire happens to become entirely superconducting.
- When the wire is entirely superconducting, it can be ignited using a current pulse δI . This is achieved by means of an external pulse generator connected to the current injection branch via a diode.

B. Measurements in a grid flow

A hot-wire has been tested in a high Reynolds number grid flow (TSF experiment^{23,24}). This TSF experiment is a pressurized closed loop of liquid helium in which a turbulent grid flow is driven by means of a cold turbine. The temperature was maintained at 2.6 K with an accuracy better than 0.1 K . The wire was driven using the constant voltage setup described in paragraph 6. One minute of signal was acquired directly from the driver output (I') on a VXI-e1430 acquisition board, which features an anti-aliasing delta-sigma ADC, at sampling frequency 320 kHz . The voltage fluctuations span over a few Volts. The Power Spectral Density (PSD) was computed numerically using the Welch's algorithm with 1-second-long Hanning-filtered blocks. In figure 8 are shown the raw PSD of the anemometer current output I' measured using the hot wire. For comparison, the PSD of velocity obtained with a Pitot tube at the same velocity²⁴ ($v = 1.7\text{ m/s}$), and approximately the same distance from

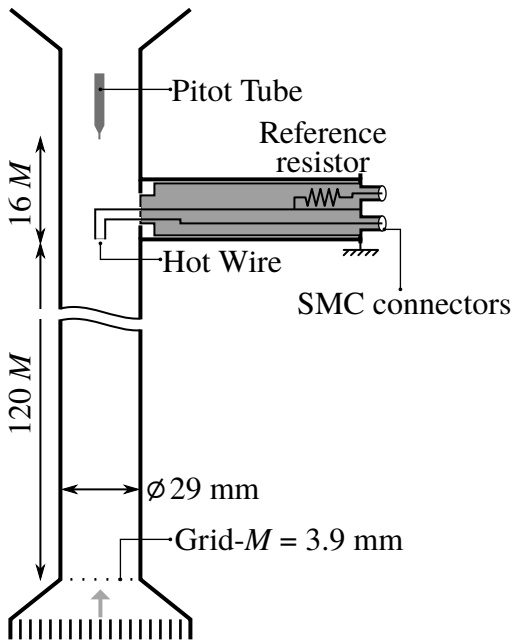


FIG. 7. Schematic of the test chamber in TSF experiment.

the grid ($L \approx 480$ mm, see figure 7), is also shown. At this velocity, the Reynolds number based on the grid mesh size $M = 3.9$ mm and the rms velocity $v' \approx 0.015v$ is $Re \approx v'M/\nu \approx 3700$. At such low turbulence intensity, the hot wire response to velocity fluctuations can be linearized.

At low frequency, and up to $f \approx 750$ Hz, the two spectra are comparable.

The longitudinal integral length scale of the flow is $L_l \approx 2.3$ mm and the corresponding cut-off frequency is $f_0 \approx 75$ Hz (see Ref. 24). The hot-wire's PSD is flat for $f < f_0$, as expected for uncorrelated large scales of the flow. Above f_0 and up to $f \approx 3$ kHz the PSD reasonably follows a $f^{-5/3}$ power law and this is emphasized in the insert of figure 8 where we have represented the PSD compensated by $f^{5/3}$. The bump around 2 kHz preceding attenuation at high frequencies corresponds to the expected bottleneck (see e.g.²⁵⁻²⁷ and ref. within).

The smallest characteristic length scale of the flow is the dissipative length scale η , and it can be estimated as $\eta = L_l Re^{-3/4} \approx 5 \mu\text{m}$. Such a tiny length scale is out-of-reach of commercial hot wires by typ. 2 decades but it can be nearly resolved with the proposed hot wire, with its hot-spot length of order $2\delta \approx 8 \mu\text{m}$. As illustrated by the spectral attenuation beyond the bottleneck (see Fig 8), this high space resolution -combined with the high time resolution imparted by the cryogenic environment- allows to resolve nearly all the dissipative scales of the turbulent flow. The electronic ground noise of the measurement system, about $V_{\text{noise}} \approx 10 \mu\text{V}/\text{Hz}^{1/2}$, is reached at frequency $f_{\text{noise}} \approx 40$ kHz, after more than one frequency decade of dissipative range. The corresponding

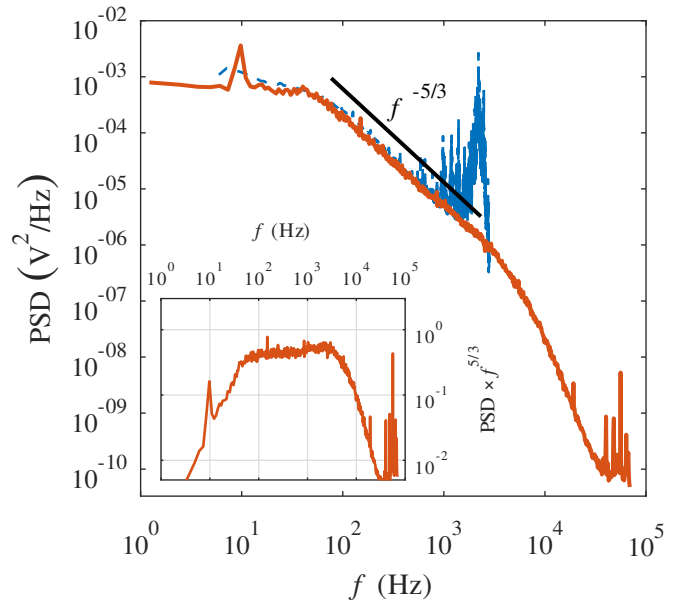


FIG. 8. Power Spectral Density (PSD) of the hot-wire driver voltage output (solid line) and the Pitot tube velocity signal in the TSF grid experiment at mean velocity $v = 1.7$ m/s. The Pitot PSD was shifted vertically to collapse with the hot wire PSD. Insert: PSD of the hot-wire compensated by $f^{5/3}$

signal to noise ratio can be estimated as the standard deviation of the signal divided by $V_{\text{noise}} \times \sqrt{f_{\text{noise}}}$ leading to a value of 140.

VII. CONCLUSION AND DISCUSSION

The design and first implementation of a new type of monolithic superconducting hot-wire anemometer has been presented. The main advantage -as compared to previous designs- is a smaller number of fabrication steps. Even though the diameter of those sensors can be ten times smaller than previous models, their resolution has been shown to be of order $5 \mu\text{m}$, that is comparable to the most-resolved hot-wires reported in the literature⁶.

It was shown experimentally that the minimal length of the sensitive hot-spot is generally much larger than the length where the wire has a reduced section area, preventing the measurements of eddies of sub-microns sizes. We derived a simple model that shows this limitation cannot be overcome easily since at low velocity very short hot-spots are intrinsically unstable. The only control parameter in the fabrication of those wires is the section reduction ratio and the model shows that the larger the section reduction, the smaller the achievable hot-spot. But obviously, the section cannot be reduced much further, at least without introducing in the fabrication process some strengthening steps to preserve mechanical resistance of the wire.

Using a lab-made constant voltage controller driving the sensor, we have obtained some first turbulent measurements in stringent flow conditions: a helium grid flow with an integral length scale of only few mm and a Kolmogorov length scales below 10 microns. These first results demonstrate that a satisfactory signal-to-noise ratio can be obtained, even in a flow where the turbulence intensity is below 2%, and thus even when velocity fluctuations very small.

A. Acknowledgment

This work was supported by the French National Research Agency grant ANR-05-BLAN-0316. We would like to thank J. Salort and collaborators for providing the Pitot tube dataset, A. Sulpice for providing us with various superconducting cables samples, J.-L. Bret and C. Guttin for helping with the design of the constant voltage anemometer and all members of the TSF collaboration for their support. Special thanks go to B. Castaing and B. Rousset for fruitful discussions.

¹S. Pope, *Turbulent Flows* (Cambridge University Press, 2000).
²S. Van Sciver, *Helium Cryogenics*, International Cryogenics Monograph Series (Springer, 2012).
³B. Rousset, P. Bonnay, P. Diribarne, A. Girard, J. Poncet, E. Herbert, J. Salort, C. Baudet, B. Castaing, L. Chevillard, F. Daviaud, B. Dubrulle, Y. Gagne, M. Gibert, B. Hébral, T. Lehner, P.-E. Roche, B. Saint-Michel, and M. Bon Mardion, “Superfluid high Reynolds von Kármán experiment,” *Rev. Sci. Instrum.* **85**, 103908 (2014).
⁴E. Rusaouen, B. Chabaud, J. Salort, and P.-E. Roche, “Intermittency of quantum turbulence with superfluid fractions from 0% to 96%,” *Physics of Fluids* **29**, 105108 (2017).
⁵J. Maurer, P. Tabeling, and G. Zocchi, “Statistics of turbulence between two counterrotating disks in low-temperature helium gas,” *Europhysics Letters (EPL)* **26**, 31–36 (1994).
⁶O. Chanal, B. Chabaud, B. Castaing, and B. Hébral, “Intermittency in a turbulent low temperature gaseous helium jet,” *The European Physical Journal B-Condensed Matter and Complex Systems* **17**, 309–317 (2000).
⁷S. Pietropinto, C. Poulain, C. Baudet, B. Castaing, B. Chabaud, Y. Gagne, B. Hébral, Y. Ladam, P. Lebrun, O. Pirotte, and P.-E. Roche, “Superconducting instrumentation for high reynolds turbulence experiments with low temperature gaseous helium,” *Physica C* **386**, 512 (2003).
⁸S. C. Bailey, G. J. Kunkel, M. Hultmark, M. Vallikivi, J. P. Hill, K. A. Meyer, C. Tsay, C. B. Arnold, and A. J. Smits, “Turbulence measurements using a nanoscale thermal anemometry probe,” *Journal of Fluid Mechanics* **663**, 160–179 (2010).

⁹E. Bodenschatz, G. P. Bewley, H. Nobach, M. Sinhuber, and H. Xu, “Variable density turbulence tunnel facility,” *Review of Scientific Instruments* **85**, 093908 (2014).
¹⁰B. Castaing, B. Chabaud, and B. Hébral, “Hot wire anemometer operating at cryogenic temperatures,” *Review of scientific instruments* **63**, 4167–4173 (1992).
¹¹O. Chanal, B. Baguenard, O. Béthoux, and B. Chabaud, “Micronic-size cryogenic thermometer for turbulence measurements,” *Rev. Sci. Instrum.* **68**, 2442–2446 (1997).
¹²Y. Fan, G. Arwatz, T. W. Van Buren, D. E. Hoffman, and M. Hultmark, “Nanoscale sensing devices for turbulence measurements,” *Experiments in Fluids* **56**, 138 (2015).
¹³M. K. Fu, Y. Fan, and M. Hultmark, “Design and validation of a nanoscale cross-wire probe (x-nstap),” *Experiments in Fluids* **60**, 99 (2019).
¹⁴Y. Borisenkov, G. Gulitski, M. Kholmyansky, S. Krylov, A. Liberzon, and A. Tsinober, “Micro-machined super-miniature hot-film multi-array probe for field experiments with sub-kolmogorov resolution,” *Journal of Turbulence* **16**, 525–539 (2015).
¹⁵J. Valentin, E. Rusaouën, B. Chabaud, O. Pirotte, and P.-E. Roche, “Array of ultra-miniaturized hot-films for high reynolds number flows,” in *16th European Turbulence Conference, 21-24 Aug. 2017, Stockholm* (2017).
¹⁶L. Dresner, “Superconductor stability, 1983: a review,” (1983).
¹⁷B. Castaing, B. Chabaud, F. Chilla, B. Hébral, A. Naert, and J. Peinke, “Anemometry in gaseous he-4 around 4-k,” *Journal De Physique III* **4**, 671–674 (1994), article APR J PHYS III.
¹⁸D. Duri, C. Baudet, J.-P. Moro, P.-E. Roche, and P. Diribarne, “Hot-wire anemometry for superfluid turbulent coflows,” *Review of Scientific Instruments* **86**, 025007 (2015).
¹⁹ $\rho_{\text{NbTi}} = 0.6 \cdot 10^{-6} \Omega \cdot \text{m}$, $k_{\text{NbTi}} = 0.6 \text{ Wm}^{-1}\text{K}^{-1}$, $T_c = 9 \text{ K}$, $k_{\text{He}} = 0.02 \text{ Wm}^{-1}\text{K}^{-1}$.
²⁰Y. Bychkov, R. Herzog, and I. Khukhareva, “Thermal conductivity and electrical resistivity of nbt alloys at low temperatures,” *Cryogenics* **21**, 741 – 745 (1981).
²¹P. Ligeza, “A four-point constant-current/temperature controlled circuit for anemometric applications,” *Review of Scientific Instruments* **71**, 109–112 (2000), <https://doi.org/10.1063/1.1150170>.
²²G. R. Sarma, “Transfer function analysis of the constant voltage anemometer,” *Review of Scientific Instruments* **69**, 2385–2391 (1998).
²³P. Diribarne, J. Salort, C. Baudet, B. Belier, B. Castaing, L. Chevillard, F. Daviaud, S. David, B. Dubrulle, Y. Gagne, and others, “TSF Experiment for comparison of high Reynolds number turbulence in He I and He II: first results.” in *Advances in Turbulence XII* (Springer, 2009) pp. 701–704.
²⁴J. Salort, C. Baudet, B. Castaing, B. Chabaud, F. Daviaud, T. Didelot, P. Diribarne, B. Dubrulle, Y. Gagne, F. Gauthier, *et al.*, “Turbulent velocity spectra in superfluid flows,” *Physics of Fluids* **22**, 5102 (2010).
²⁵D. A. Donzis and K. R. Sreenivasan, “The bottleneck effect and the kolmogorov constant in isotropic turbulence,” *J. Fluid Mech.* **657**, 171–188 (2010).
²⁶T. Ishihara, K. Morishita, M. Yokokawa, A. Uno, and Y. Kaneda, “Energy spectrum in high-resolution direct numerical simulations of turbulence,” *Phys. Rev. Fluids* **1**, 082403 (2016).
²⁷C. Küchler, G. Bewley, and E. Bodenschatz, “Experimental study of the bottleneck in fully developed turbulence,” *Journal of Statistical Physics* (2019).